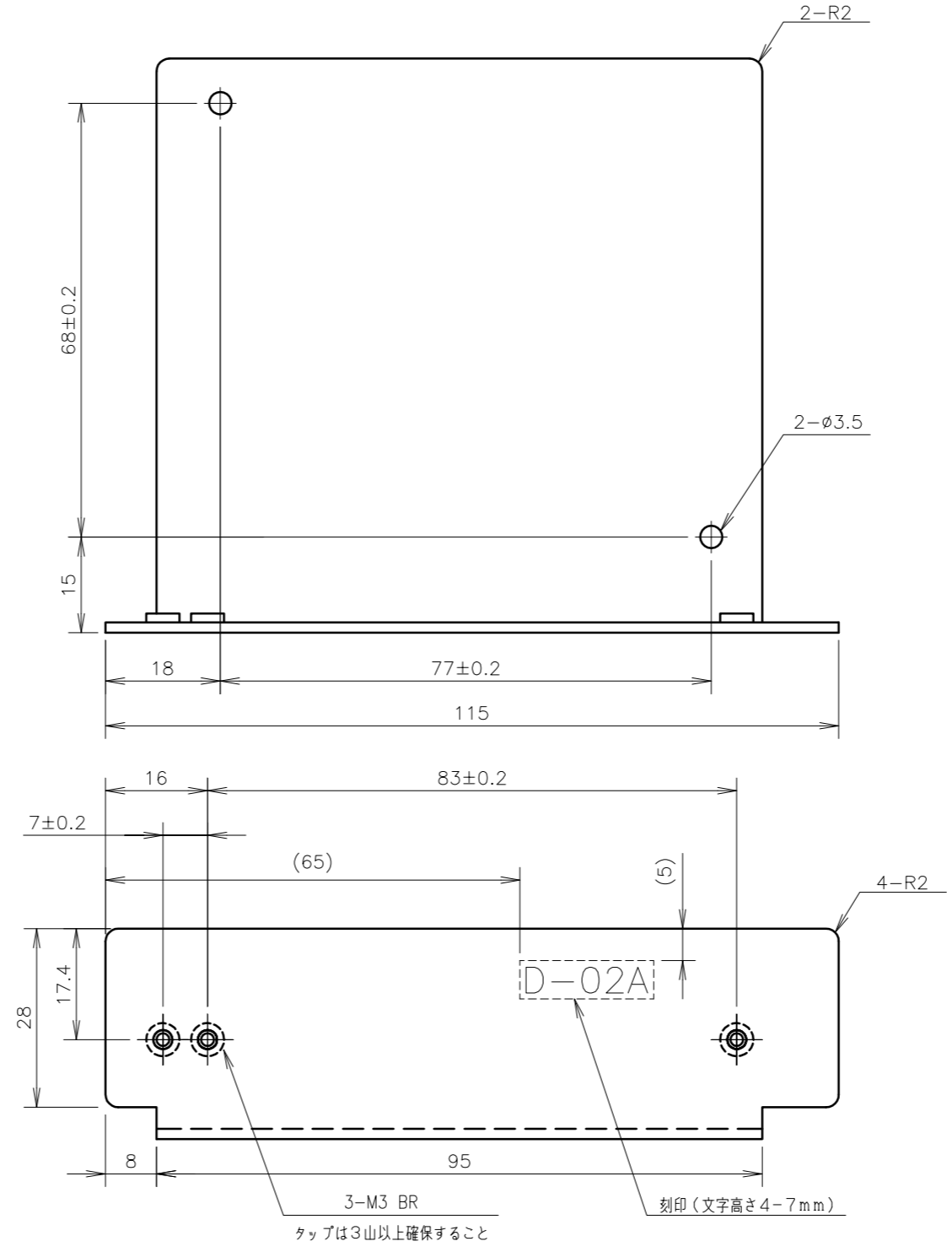
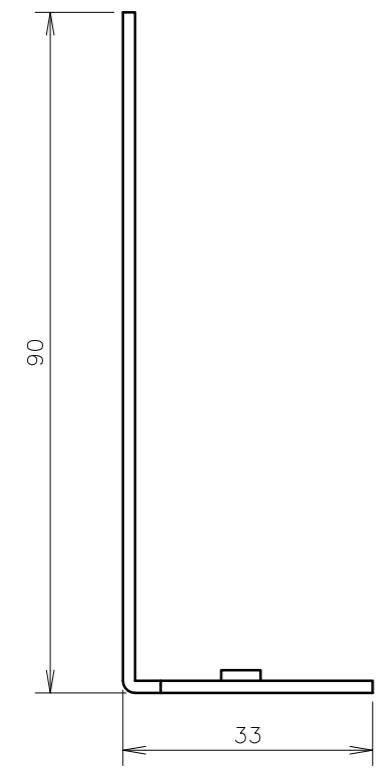


パンチング方向
→



SCALE	1/1	MATERIALS	EWS25,SR20,RKW30W,HK25A,HWS30,HWS30A	
UNITS	mm	SPCC-SD t=1.6	互換ブラケット D-02A	
ANGLE	3RD ANGLE PROJECTION	FINISH	DRAWING No.	8000-3-802 - A
		Ep-Fe/Ni[2] b	TDK-Lambda	
			PAGE	1/1