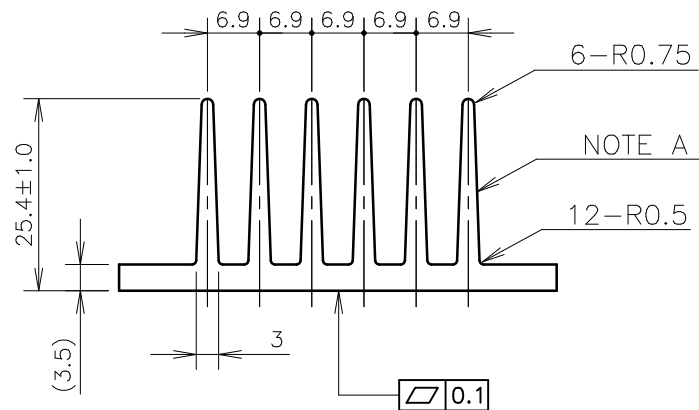
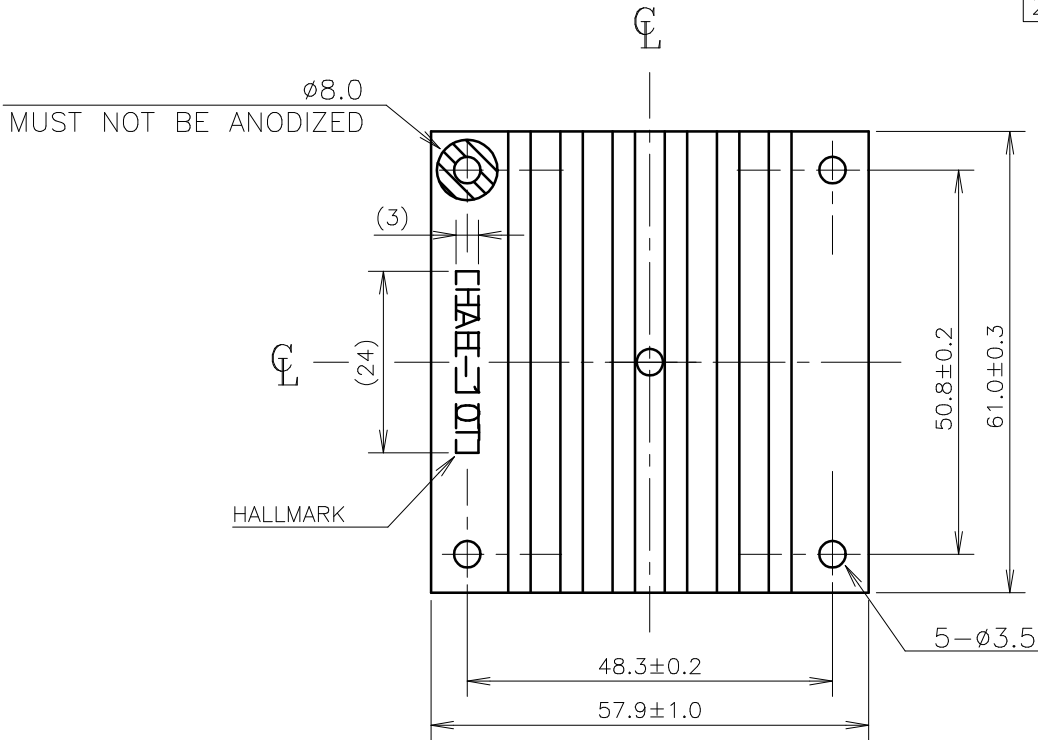


Unless otherwise specified dimensional tolerance as follows:	
DIMENSION (mm)	TOLERANCE ±mm
1-16	0.1
16.1-63	0.2
63.1-250	0.3
250.1-1000	0.5



NOTE A
KNURLING ON FIN

(unit : mm)

MODEL NAME	HAH-10T
TDK-Lambda	

8000-4-156A