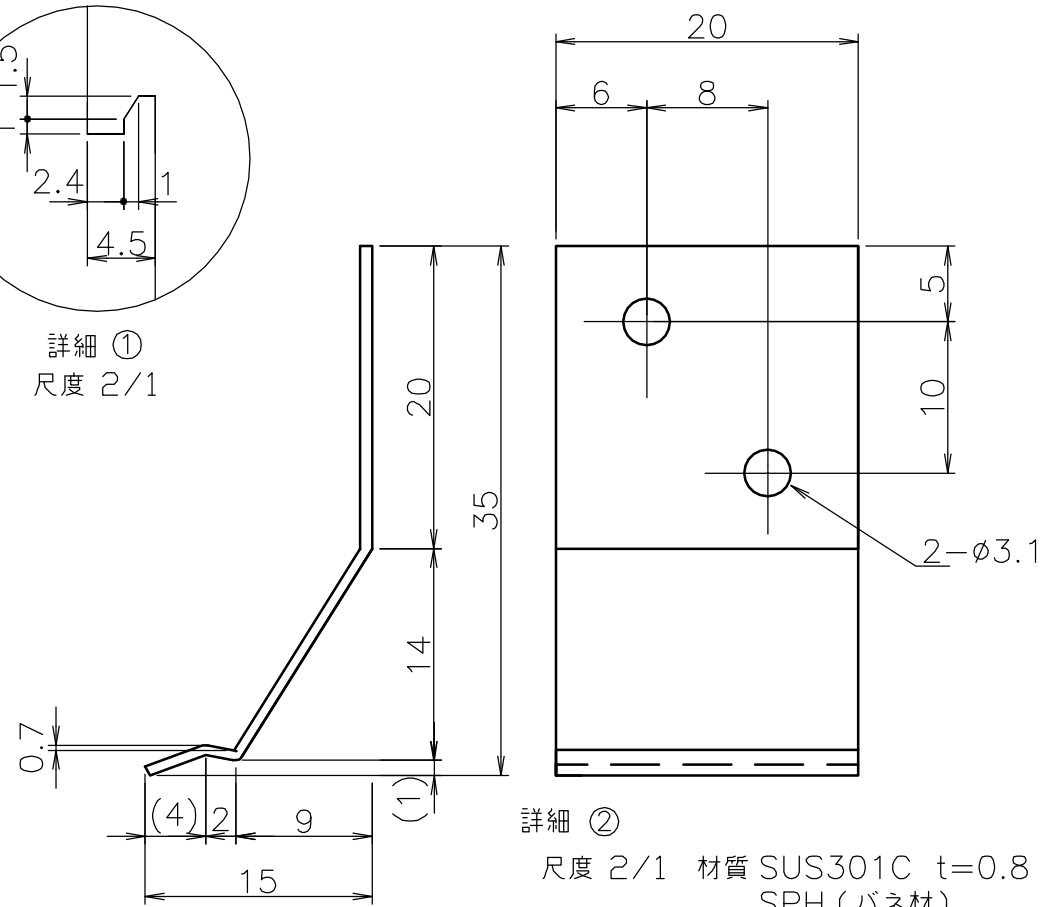
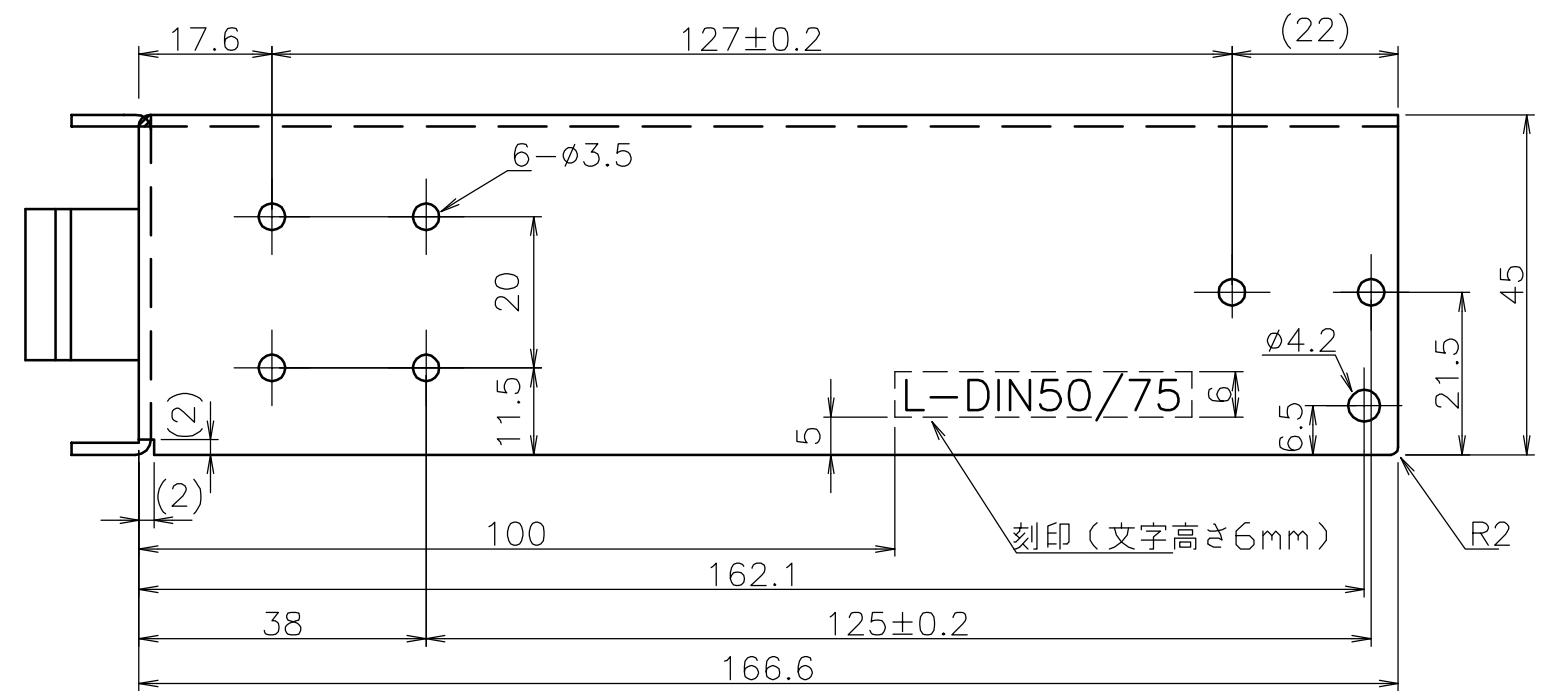


詳細①  
尺度 2/1



詳細②  
尺度 2/1 材質 SUS301C t=0.8  
SPH (バネ材)



SCALE	1/1	MATERIALS	TITLE	L-DIN50/75
		SPCC-SD t=1.6		オプション板
UNITS	mm	FINISH	DRAWING No.	8000-3-653-[B]
3RD ANGLE PROJECTION		Ep-Fe/Ni[2] b	<b>TDK-Lambda</b>	