

RP-60-20

EVALUATION DATA

型式データ

INDEX

PAGE

1. 測定方法 Evaluation Method

1-1. 測定回路 Circuit used for determination 3

 測定回路1 Circuit 1 used for determination

 内部損失対入力電流特性

 Internal loss vs. Input current characteristics

 電圧降下(Vin-Vout)対入力電流特性

 Voltage drop(Vin-Vout) vs. Input current characteristics

 測定回路2 Circuit 2 used for determination 3

 逆電流特性 Reverse current characteristics

1-2. 使用測定機器 List of equipment used 3

2. 特性データ Characteristics

2-1. 内部損失対入力電流特性

 Internal Loss vs. Input current characteristics 4

2-2. 電圧降下(Vin-Vout)対入力電流特性

 Voltage drop(Vin-Vout) vs. Input current characteristics 4

2-3. 逆電流特性 Reverse current characteristics 5

■使用記号 Terminology used

定義 Definition

Vin	入力電圧	Input voltage
Vout	出力電圧	Output voltage
Iin	入力電流	Input current
Ta	周囲温度	Ambient temperature

■試験結果は、当社測定条件における結果であり、参考値としてお考え願います。

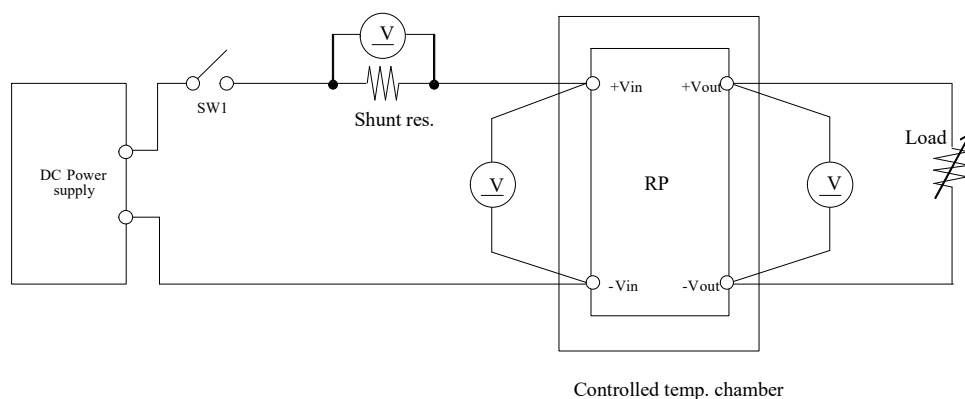
Test results are reference data based on our measurement condition.

1. 測定方法 Evaluation Method

1-1. 測定回路 Circuit used for determination

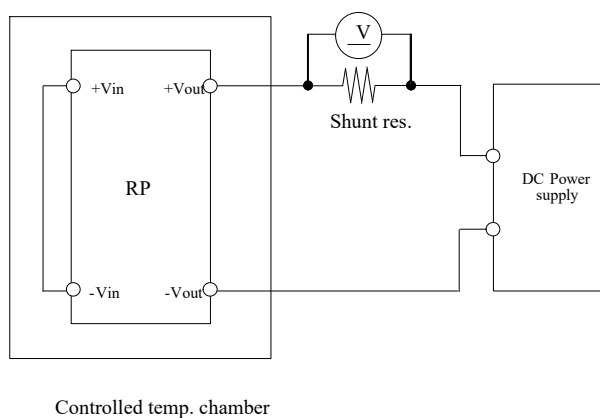
測定回路1 Circuit 1 used for determination

- 内部損失対入力電流特性 Internal loss vs. Input current characteristics
- 電圧降下($V_{in}-V_{out}$)対入力電流特性 Voltage drop($V_{in}-V_{out}$) vs. Input current characteristics



測定回路2 Circuit 2 used for determination

- 逆電流特性 Reverse current characteristics

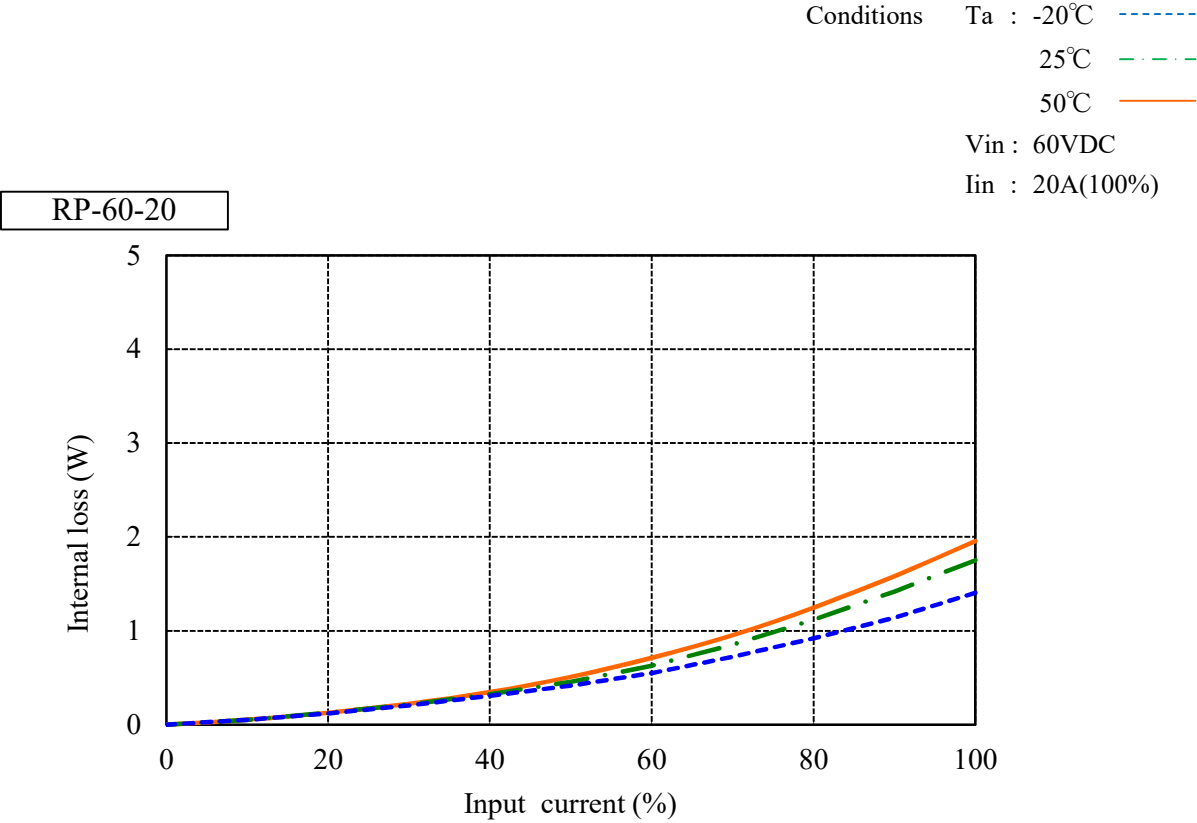


1-2. 使用測定機器 List of equipment used

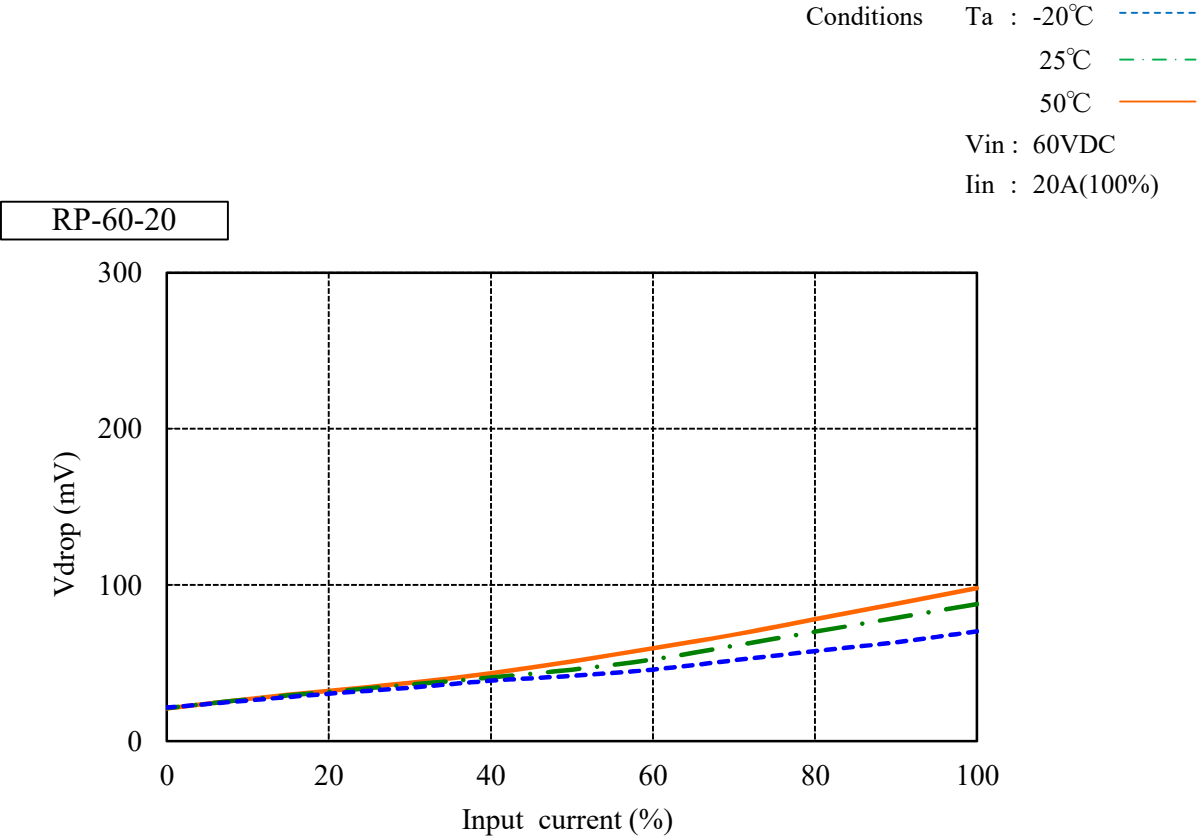
	EQUIPMENT USED	MANUFACTURER	MODEL NO.
1	DIGITAL MULTIMETER	AGILENT	34970A
2	DIGITAL MULTIMETER	HEWLETT PACKARD	33401A
3	DYNAMIC DUMMY LOAD	TAKASAGO	FK-1000L
4	CVCF	KIKUSUI	PCR4000LA
5	DC POWER SUPPLY	TDK-LAMBDA	Z100-4-J
6	CONTROLLED TEMP. CHAMBER	ESPEC	SU-642

2. 特性データ Characteristics

2-1. 内部損失対入力電流特性 Internal loss vs. Input current characteristics



2-2. 電圧降下 (Vin-Vout)対入力電流特性 Voltage drop (Vin-Vout) vs. Input current characteristics



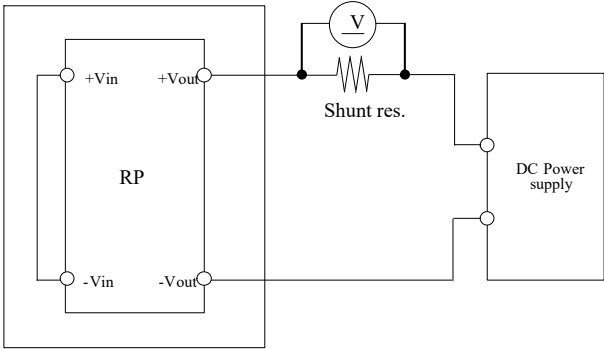
2-3. 逆電流特性 Reverse current characteristics

Conditions Ta : -20°C
 25°C
 50°C
 Vin : Short

RP-60-20

Output voltage	Reverse current	Judgement		
		-20°C	25°C	50°C
7V	Less than 10uA	Pass	Pass	Pass
10V	Less than 10uA	Pass	Pass	Pass
20V	Less than 10uA	Pass	Pass	Pass
30V	Less than 10uA	Pass	Pass	Pass
40V	Less than 10uA	Pass	Pass	Pass
50V	Less than 10uA	Pass	Pass	Pass
60V	Less than 10uA	Pass	Pass	Pass

測定回路 Circuit used for determination



Controlled temp. chamber