

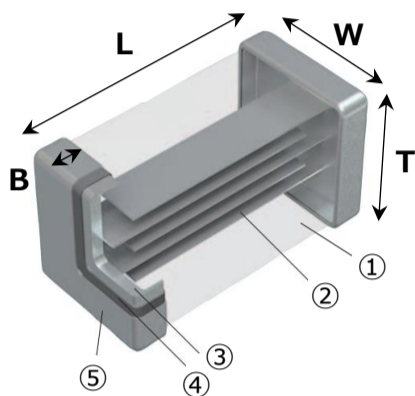
JIS0402 [EIA 01005]

[NTCG044EF104FTBCX](#)

- ▶ UL certificate/E250289
- ▶ Max. Temp. 125°C
- ▶ General Grade



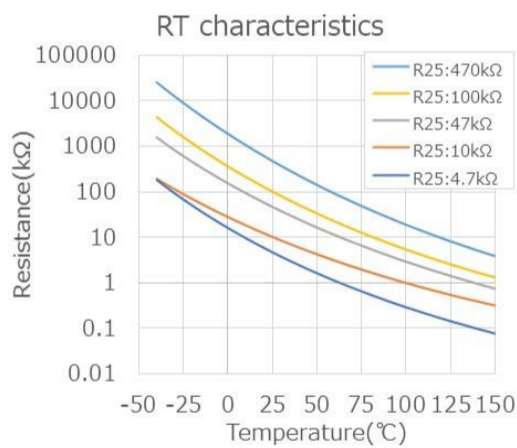
## Dimension and Construction



Symbol	Dimension
L	0.4±0.02mm
W	0.2±0.02mm
T	0.2±0.02mm
B	0.07mm min.

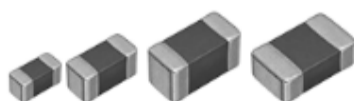
No.	Name
①	Semiconductor ceramics
②	Internal electrode
③	Base electrode
④	Ni plating
⑤	Sn plating

## Electrical Characteristics



Item	Specification
Resistance	[at 25°C] 100kΩ±1%
B value	[at 25/50°C] 4250K±1%
	[at 25/85°C] 4293K typ.
Max. Rated power	[at 25°C] 60mW
Thermal Dissipation Constant	[at 25°C] 0.6mW/°C
Permissible Operating Current	[at 25°C] 0.07mA
Max. Voltage	5V
Operating Temperature	-40°C~125°C
1degC Step Data	[-40°C~125°C] <a href="#">Link</a>

## Package



Item	Specification
Packing	Taping ( Paper carrier )
Reel Dimension	φ180mm
Packing Quantity	20,000pcs/reel
Weight	0.0001g