

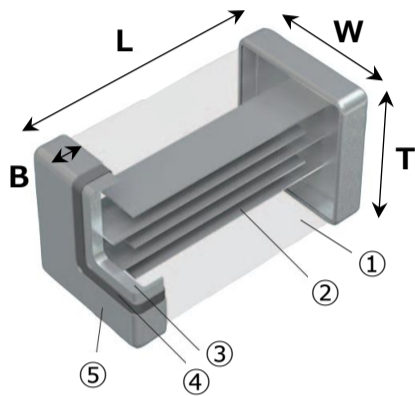
JIS1608 [EIA 0603]

[NTCG163JF103FT1S](#)

- ▶ Max. Temp. 150°C
- ▶ Automotive Grade
- ▶ Compliant with AEC-Q200



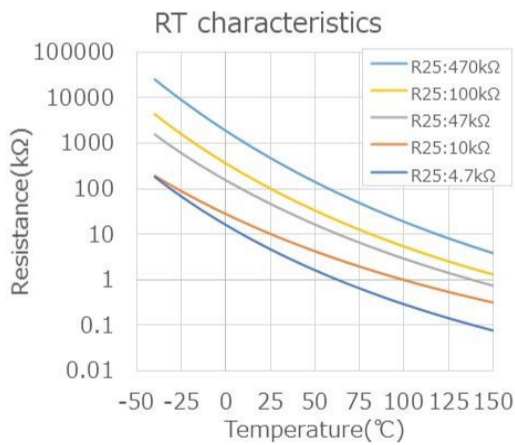
## Dimension and Construction



| Symbol | Dimension  |
|--------|------------|
| L      | 1.6±0.1mm  |
| W      | 0.8±0.1mm  |
| T      | 0.8±0.1mm  |
| B      | 0.2mm min. |

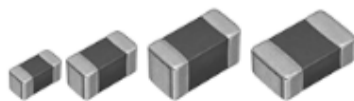
| No. | Name                   |
|-----|------------------------|
| ①   | Semiconductor ceramics |
| ②   | Internal electrode     |
| ③   | Base electrode         |
| ④   | Ni plating             |
| ⑤   | Sn plating             |

## Electrical Characteristics



| Item                          | Specification                                    |
|-------------------------------|--|
| Resistance                    | [at 25°C] 10kΩ±1%                                |
| B value                       | [at 25/50°C] 3380K typ.<br>[at 25/85°C] 3435K±1% |
| Max. Rated power              | [at 25°C] 125mW                                  |
| Thermal Dissipation Constant  | [at 25°C] 1mW/°C                                 |
| Permissible Operating Current | [at 25°C] 0.31mA                                 |
| Max. Voltage                  | 5V   |
| Operating Temperature         | -40°C~150°C                                      |
| 1degC Step Data               | [-40°C~150°C] <a href="#">Link</a>               |

## Package



| Item             | Specification            |
|------------------|--------------------------|
| Packing          | Taping ( Paper carrier ) |
| Reel Dimension   | φ180mm                   |
| Packing Quantity | 4,000pcs/reel            |
| Weight           | 0.0050g                  |