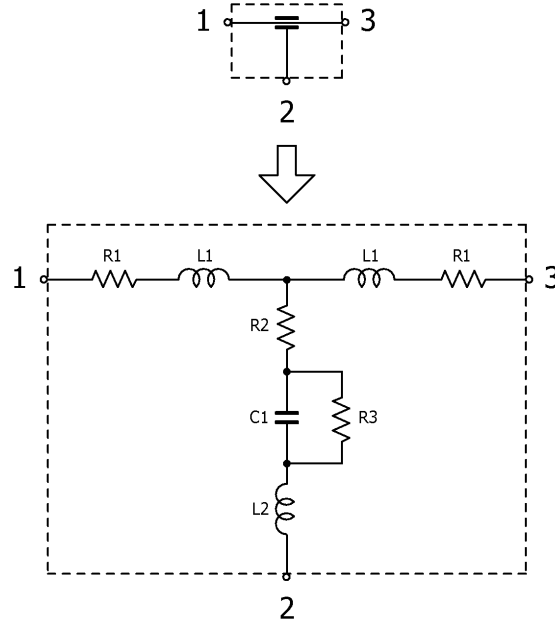


3-Terminal Filters

Mar. 8, 2021
Simple Model

Automotive Grade for General Use / YFF18AC series (1/2)

Circuit Diagram



Circuit Parameters

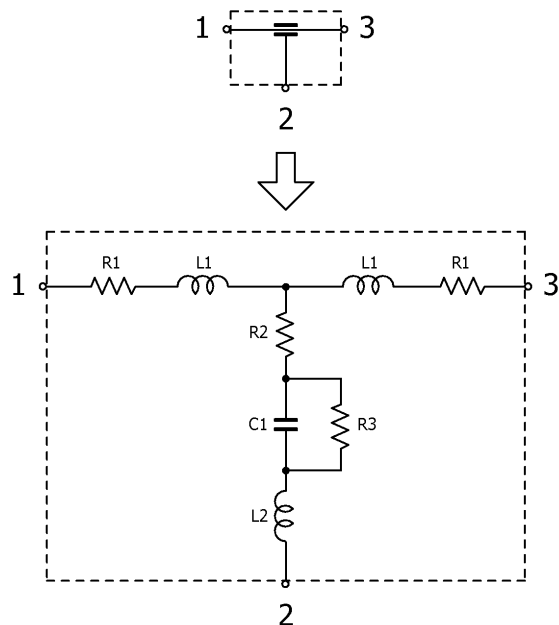
Part No.	C1[pF]	L1[nH]	L2[nH]	R1[ohm]	R2[ohm]	R3[Gohm]
YFF18AC0G475MT0Y0E	4,700,000	0.029	0.031	0.0016	0.0027	0.106
YFF18AC0J105MT0Y0E	1,000,000	0.051	0.042	0.0055	0.0057	0.100
YFF18AC0J105MT0Y9E	1,000,000	0.051	0.042	0.0055	0.0057	0.100
YFF18AC1C104MT0Y0N	100,000	0.010	0.035	0.0058	0.0086	5.00
YFF18AC1C104MT0Y9N	100,000	0.010	0.035	0.0058	0.0086	5.00
YFF18AC1E223MT0Y0N	22,000	0.020	0.030	0.0101	0.0166	10.0
YFF18AC1E223MT0Y9N	22,000	0.020	0.030	0.0101	0.0166	10.0
YFF18AC1H103MT0Y0N	10,000	0.020	0.030	0.0152	0.0272	10.0
YFF18AC1H103MT0Y9N	10,000	0.020	0.030	0.0152	0.0272	10.0
YFF18AC1H472MT0Y0N	4,700	0.020	0.030	0.0228	0.0391	10.0
YFF18AC1H472MT0Y9N	4,700	0.020	0.030	0.0228	0.0391	10.0
YFF18AC1H222MT0Y0N	2,200	0.050	0.035	0.0163	0.0631	10.0
YFF18AC1H222MT0Y9N	2,200	0.050	0.035	0.0163	0.0631	10.0
YFF18AC1H102MT0Y0N	1,000	0.060	0.030	0.0238	0.1126	10.0
YFF18AC1H102MT0Y9N	1,000	0.060	0.030	0.0238	0.1126	10.0
YFF18AC1H471MT0Y0N	470	0.030	0.050	0.0127	0.0236	100
YFF18AC1H471MT0Y9N	470	0.030	0.050	0.0127	0.0236	100
YFF18AC1H221MT0Y0N	220	0.016	0.050	0.0164	0.0327	100
YFF18AC1H221MT0Y9N	220	0.016	0.050	0.0164	0.0327	100
YFF18AC1H101MT0Y0N	100	0.032	0.049	0.0218	0.0429	100
YFF18AC1H101MT0Y9N	100	0.032	0.049	0.0218	0.0429	100
YFF18AC1H470MT0Y0N	47	0.042	0.048	0.0367	0.0405	100
YFF18AC1H470MT0Y9N	47	0.042	0.048	0.0367	0.0405	100
YFF18AC1H220MT0Y0N	22	0.048	0.043	0.0495	0.1505	100

3-Terminal Filters

Mar. 8, 2021
Simple Model

Automotive Grade for General Use / YFF18AC series (2/2)

Circuit Diagram



Circuit Parameters

Part No.	C1[pF]	L1[nH]	L2[nH]	R1[ohm]	R2[ohm]	R3[Gohm]
YFF18AC1H220MT0Y9N	22	0.048	0.043	0.0495	0.1505	100