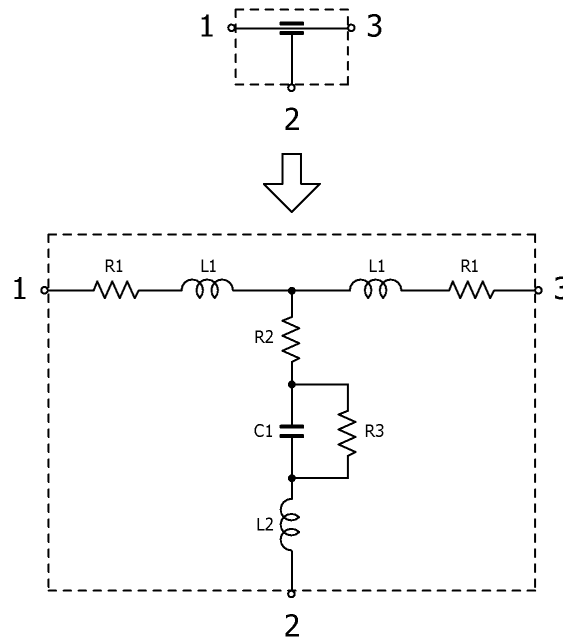


3-Terminal Filters

Mar. 30, 2020
Simple Model

Automotive Grade for General Use / YFF21AC series (1/2)

Circuit Diagram



Circuit Parameters

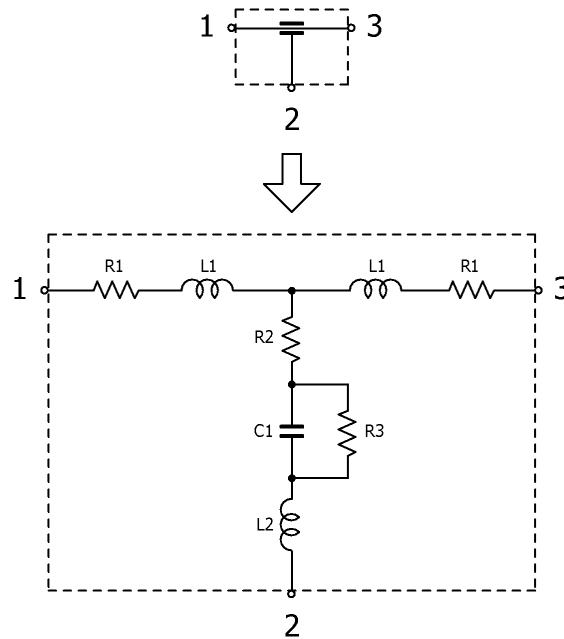
Part No.	C1[μ F]	L1[nH]	L2[nH]	R1[ohm]	R2[ohm]	R3[Gohm]
YFF21AC1C474MT0Y0N	470,000	0.032	0.034	0.0029	0.0038	1.06
YFF21AC1C474MT0Y9N	470,000	0.032	0.034	0.0029	0.0038	1.06
YFF21AC1E104MT0Y0N	100,000	0.048	0.036	0.0061	0.0086	5.00
YFF21AC1E104MT0Y9N	100,000	0.048	0.036	0.0061	0.0086	5.00
YFF21AC1E473MT0Y0N	47,000	0.017	0.042	0.0056	0.0124	10.0
YFF21AC1E473MT0Y9N	47,000	0.017	0.042	0.0056	0.0124	10.0
YFF21AC1E223MT0Y0N	22,000	0.070	0.055	0.0114	0.0192	10.0
YFF21AC1E223MT0Y9N	22,000	0.070	0.055	0.0114	0.0192	10.0
YFF21AC1E103MT0Y0N	10,000	0.130	0.055	0.0234	0.0278	10.0
YFF21AC1E103MT0Y9N	10,000	0.130	0.055	0.0234	0.0278	10.0
YFF21AC1H472MT0Y0N	4,700	0.110	0.065	0.0327	0.0399	10.0
YFF21AC1H472MT0Y9N	4,700	0.110	0.065	0.0327	0.0399	10.0
YFF21AC1H222MT0Y0N	2,200	0.110	0.065	0.0369	0.0690	10.0
YFF21AC1H222MT0Y9N	2,200	0.110	0.065	0.0369	0.0690	10.0
YFF21AC1H102MT0Y0N	1,000	0.090	0.045	0.0641	0.1211	10.0
YFF21AC1H102MT0Y9N	1,000	0.090	0.045	0.0641	0.1211	10.0
YFF21AC1H471MT0Y0N	470	0.026	0.075	0.0073	0.0464	100
YFF21AC1H471MT0Y9N	470	0.026	0.075	0.0073	0.0464	100
YFF21AC1H221MT0Y0N	220	0.054	0.065	0.0107	0.0559	100
YFF21AC1H221MT0Y9N	220	0.054	0.065	0.0107	0.0559	100
YFF21AC1H101MT0Y0N	100	0.046	0.057	0.0189	0.0671	100
YFF21AC1H101MT0Y9N	100	0.046	0.057	0.0189	0.0671	100
YFF21AC1H470MT0Y0N	47	0.082	0.054	0.0165	0.0947	100
YFF21AC1H470MT0Y9N	47	0.082	0.054	0.0165	0.0947	100

3-Terminal Filters

Mar. 30, 2020
Simple Model

Automotive Grade for General Use / YFF21AC series (2/2)

Circuit Diagram



Circuit Parameters

Part No.	C1[pF]	L1[nH]	L2[nH]	R1[ohm]	R2[ohm]	R3[Gohm]
YFF21AC1H220MT0Y0N	22	0.082	0.069	0.0230	0.1043	100
YFF21AC1H220MT0Y9N	22	0.082	0.069	0.0230	0.1043	100