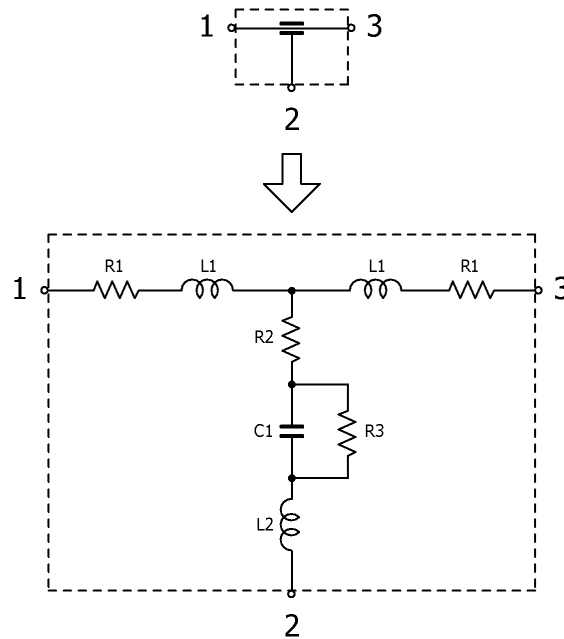


3-Terminal Filters

Mar. 30, 2020
Simple Model

Commercial Grade for Power Line / YFF15PC series

Circuit Diagram



Circuit Parameters

Part No.	C1[pF]	L1[nH]	L2[nH]	R1[ohm]	R2[ohm]	R3[Gohm]
YFF15PC1C104MT000N	100,000	0.040	0.030	0.0110	0.0119	1.00
YFF15PC1C104MT009N	100,000	0.040	0.030	0.0110	0.0119	1.00
YFF15PC1A224MT000N	220,000	0.034	0.030	0.0073	0.0078	0.454
YFF15PC1A224MT009N	220,000	0.034	0.030	0.0073	0.0078	0.454
YFF15PC0J474MT000N	470,000	0.025	0.025	0.0043	0.0042	0.210
YFF15PC0J474MT009N	470,000	0.025	0.025	0.0043	0.0042	0.210
YFF15PC0G105MT000N	1,000,000	0.017	0.026	0.0030	0.0032	0.100
YFF15PC0G105MT009N	1,000,000	0.017	0.026	0.0030	0.0032	0.100
YFF15PC0J105MT000N	1,000,000	0.017	0.026	0.0030	0.0032	0.100
YFF15PC0J105MT009N	1,000,000	0.017	0.026	0.0030	0.0032	0.100
YFF15PC0G435MT000N	4,300,000	0.019	0.027	0.0022	0.0026	0.0232
YFF15PC0G435MT009N	4,300,000	0.019	0.027	0.0022	0.0026	0.0232