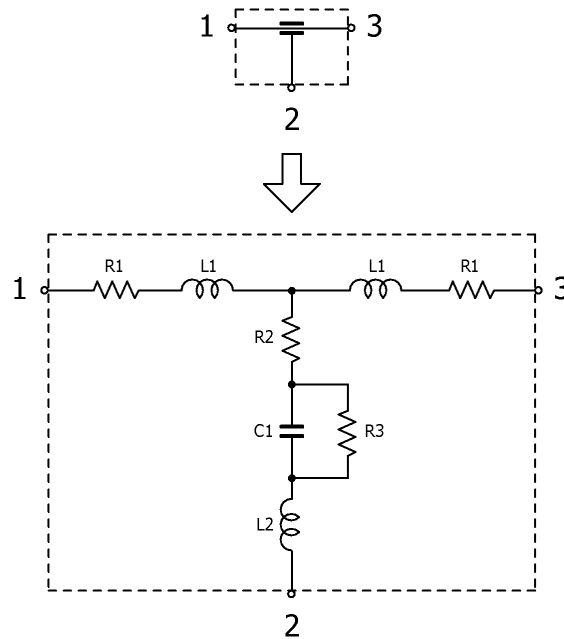


**3-Terminal Filters**

Mar. 30, 2020  
Simple Model

Commercial Grade for Power Line / YFF18PC series

**Circuit Diagram**



**Circuit Parameters**

Part No.	C1[pF]	L1[nH]	L2[nH]	R1[ohm]	R2[ohm]	R3[Gohm]
YFF18PC1C104MT0H0N	100,000	0.140	0.038	0.0059	0.0085	1.00
YFF18PC1C104MT0H9N	100,000	0.140	0.038	0.0059	0.0085	1.00
YFF18PC0J224MT0H0N	220,000	0.140	0.022	0.0036	0.0049	0.454
YFF18PC0J224MT0H9N	220,000	0.140	0.022	0.0036	0.0049	0.454
YFF18PC0J474MT0H0N	470,000	0.140	0.034	0.0029	0.0038	0.212
YFF18PC0J474MT0H9N	470,000	0.140	0.034	0.0029	0.0038	0.212
YFF18PC0J105MT0H0N	1,000,000	0.140	0.027	0.0046	0.0042	0.100
YFF18PC0J105MT0H9N	1,000,000	0.140	0.027	0.0046	0.0042	0.100
YFF18PC0J475MT0H0N	4,700,000	0.140	0.028	0.0016	0.0020	0.0210
YFF18PC0J475MT0H9N	4,700,000	0.140	0.028	0.0016	0.0020	0.0210