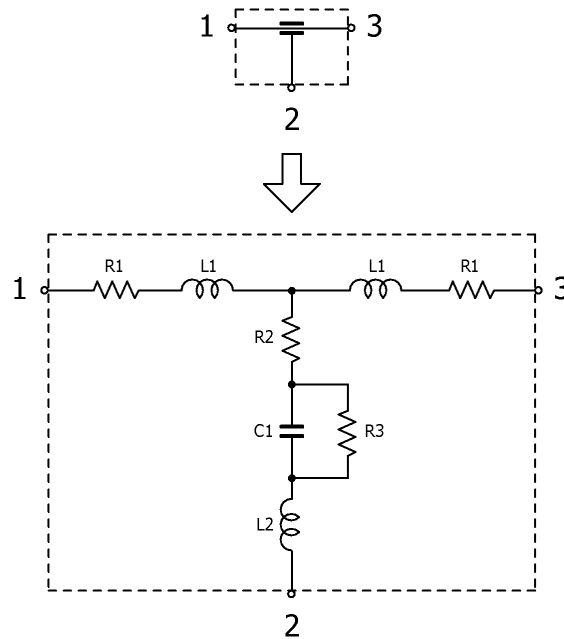


3-Terminal Filters

Mar. 30, 2020
Simple Model

Commercial Grade for Power Line / YFF18PH series

Circuit Diagram



Circuit Parameters

Part No.	C1[pF]	L1[nH]	L2[nH]	R1[ohm]	R2[ohm]	R3[Gohm]
YFF18PH0J105MT000N	1,000,000	0.140	0.030	0.0020	0.0023	0.100
YFF18PH0J105MT009N	1,000,000	0.140	0.030	0.0020	0.0023	0.100
YFF18PH0J225MT000N	2,200,000	0.140	0.030	0.0020	0.0020	0.0450
YFF18PH0J225MT009N	2,200,000	0.140	0.030	0.0020	0.0020	0.0450