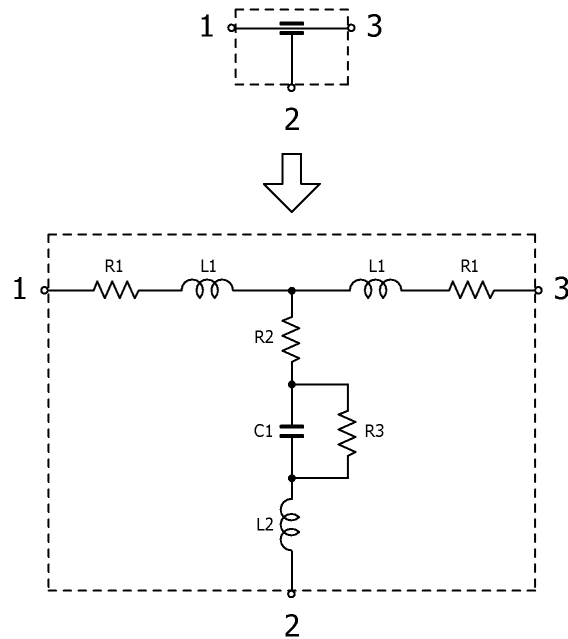


## 3-Terminal Filters

Mar. 30, 2020  
Simple Model

Commercial Grade for Power Line / YFF18PW series

### Circuit Diagram



### Circuit Parameters

Part No.	C1[pF]	L1[nH]	L2[nH]	R1[ohm]	R2[ohm]	R3[Gohm]
YFF18PW0J474MT0H0N	470,000	0.170	0.015	0.0070	0.0020	0.210
YFF18PW0J474MT0H9N	470,000	0.170	0.015	0.0070	0.0020	0.210
YFF18PW0J105MT0H0N	1,000,000	0.170	0.015	0.0070	0.0025	0.100
YFF18PW0J105MT0H9N	1,000,000	0.170	0.015	0.0070	0.0025	0.100
YFF18PW0J475MT0H0N	4,700,000	0.170	0.015	0.0040	0.0018	0.0210
YFF18PW0J475MT0H9N	4,700,000	0.170	0.015	0.0040	0.0018	0.0210