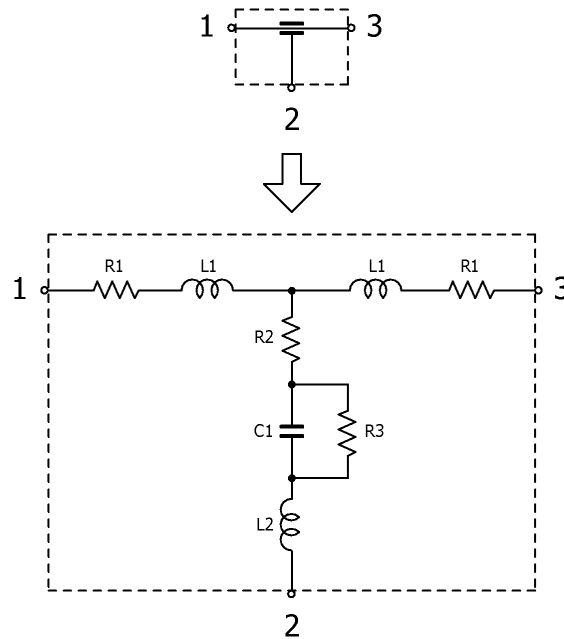


3-Terminal Filters

Mar. 30, 2020
Simple Model

Commercial Grade for Power Line / YFF21PC series

Circuit Diagram



Circuit Parameters

| Part No. | C1[pF] | L1[nH] | L2[nH] | R1[ohm] | R2[ohm] | R3[Gohm] |
|--------------------|------------|--------|--------|---------|---------|----------|
| YFF21PC1A105MT000N | 1,000,000 | 0.160 | 0.028 | 0.0020 | 0.0030 | 0.100 |
| YFF21PC1A105MT009N | 1,000,000 | 0.160 | 0.028 | 0.0020 | 0.0030 | 0.100 |
| YFF21PC1C474MT000N | 470,000 | 0.160 | 0.028 | 0.0035 | 0.0090 | 0.210 |
| YFF21PC1C474MT009N | 470,000 | 0.160 | 0.028 | 0.0035 | 0.0090 | 0.210 |
| YFF21PC0J226MT000N | 22,000,000 | 0.160 | 0.022 | 0.0007 | 0.0015 | 0.00500 |
| YFF21PC0J226MT009N | 22,000,000 | 0.160 | 0.022 | 0.0007 | 0.0015 | 0.00500 |