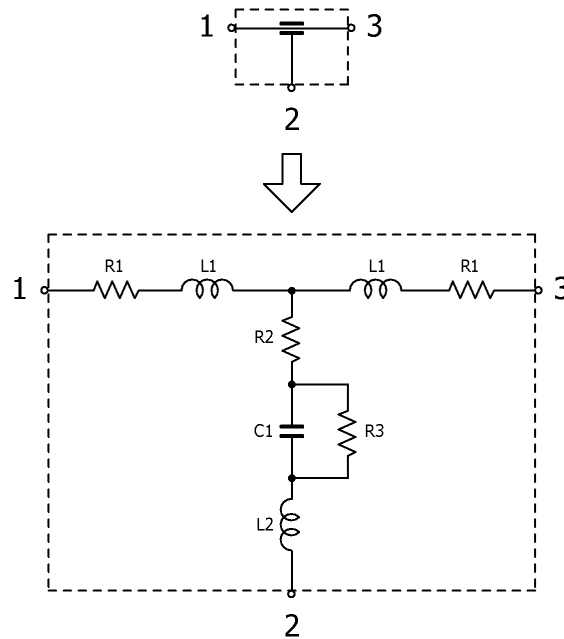


**3-Terminal Filters**

Nov. 18, 2020  
Simple Model

Commercial Grade for Power Line / YFF31HC series

**Circuit Diagram**



**Circuit Parameters**

Part No.	C1[pF]	L1[nH]	L2[nH]	R1[ohm]	R2[ohm]	R3[Gohm]
YFF31HC1H153MT000N	15,000	0.140	0.016	0.0005	0.0320	10.0
YFF31HC1H153MT009N	15,000	0.140	0.016	0.0005	0.0320	10.0
YFF31HC2A103MT000N	10,000	0.140	0.016	0.0007	0.0420	10.0
YFF31HC2A103MT009N	10,000	0.140	0.016	0.0007	0.0420	10.0
YFF31HC2A104MT000N	100,000	0.140	0.016	0.00075	0.0075	1.00
YFF31HC2A104MT009N	100,000	0.140	0.016	0.00075	0.0075	1.00
YFF31HC2A105MT000N	1,000,000	0.140	0.019	0.0019	0.0060	0.100
YFF31HC2A105MT009N	1,000,000	0.140	0.019	0.0019	0.0060	0.100