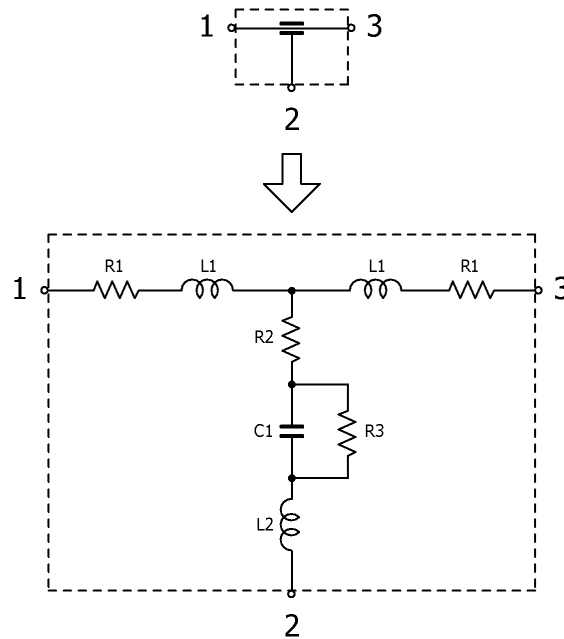


**3-Terminal Filters**

Mar. 30, 2020  
Simple Model

Commercial Grade for Power Line / YFF31PC series

**Circuit Diagram**



**Circuit Parameters**

Part No.	C1[pF]	L1[nH]	L2[nH]	R1[ohm]	R2[ohm]	R3[Gohm]
YFF31PC1C224MT000N	220,000	0.480	0.037	0.0124	0.0060	0.450
YFF31PC1C224MT009N	220,000	0.480	0.037	0.0124	0.0060	0.450
YFF31PC1C474MT000N	470,000	0.410	0.031	0.0056	0.0070	0.210
YFF31PC1C474MT009N	470,000	0.410	0.031	0.0056	0.0070	0.210
YFF31PC1C105MT000N	1,000,000	0.290	0.022	0.0032	0.0040	0.100
YFF31PC1C105MT009N	1,000,000	0.290	0.022	0.0032	0.0040	0.100