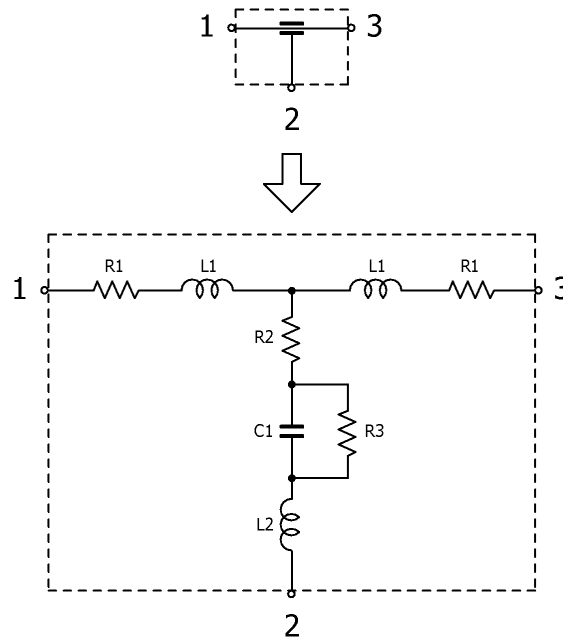


3-Terminal Filters

Mar. 30, 2020
Simple Model

Commercial Grade for Signal Line / YFF15SC series

Circuit Diagram



Circuit Parameters

Part No.	C1[pF]	L1[nH]	L2[nH]	R1[ohm]	R2[ohm]	R3[Gohm]
YFF15SC1C473MT000N	47,000	0.110	0.025	0.0091	0.0120	10.0
YFF15SC1C473MT009N	47,000	0.110	0.025	0.0091	0.0120	10.0
YFF15SC1C223MT000N	22,000	0.110	0.024	0.0140	0.0170	10.0
YFF15SC1C223MT009N	22,000	0.110	0.024	0.0140	0.0170	10.0
YFF15SC1E103MT000N	10,000	0.110	0.031	0.0200	0.0310	10.0
YFF15SC1E103MT009N	10,000	0.110	0.031	0.0200	0.0310	10.0
YFF15SC1E472MT000N	4,700	0.110	0.034	0.0450	0.0600	10.0
YFF15SC1E472MT009N	4,700	0.110	0.034	0.0450	0.0600	10.0
YFF15SC1E222MT000N	2,200	0.110	0.031	0.0150	0.0680	10.0
YFF15SC1E222MT009N	2,200	0.110	0.031	0.0150	0.0680	10.0
YFF15SC1E102MT000N	1,000	0.110	0.024	0.0230	0.1000	10.0
YFF15SC1E102MT009N	1,000	0.110	0.024	0.0230	0.1000	10.0
YFF15SC1E471MT000N	470	0.110	0.028	0.0480	0.1700	10.0
YFF15SC1E471MT009N	470	0.110	0.028	0.0480	0.1700	10.0
YFF15SC1H221MT000N	220	0.110	0.030	0.0160	0.0280	10.0
YFF15SC1H221MT009N	220	0.110	0.030	0.0160	0.0280	10.0
YFF15SC1H101MT000N	100	0.110	0.035	0.0360	0.0200	10.0
YFF15SC1H101MT009N	100	0.110	0.035	0.0360	0.0200	10.0
YFF15SC1H470MT000N	47	0.110	0.031	0.0360	0.0320	10.0
YFF15SC1H470MT009N	47	0.110	0.031	0.0360	0.0320	10.0
YFF15SC1H220MT000N	22	0.110	0.031	0.0540	0.0480	10.0
YFF15SC1H220MT009N	22	0.110	0.031	0.0540	0.0480	10.0