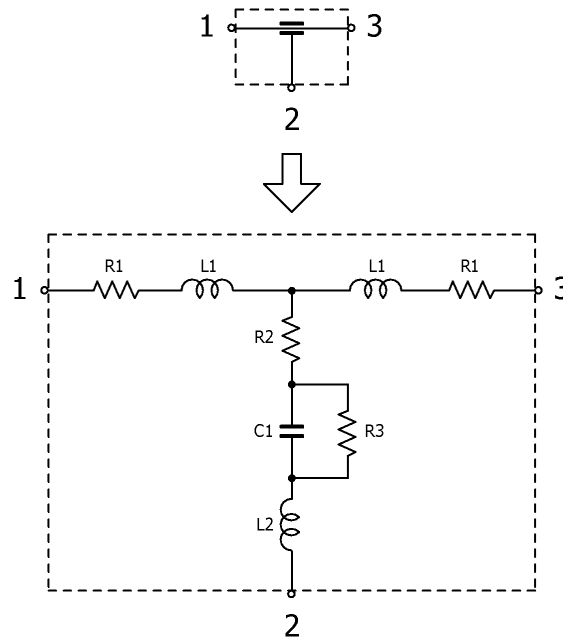


3-Terminal Filters

Mar. 30, 2020
Simple Model

Commercial Grade for Signal Line / YFF18SC series

Circuit Diagram



Circuit Parameters

Part No.	C1[pF]	L1[nH]	L2[nH]	R1[ohm]	R2[ohm]	R3[Gohm]
YFF18SC1H223MT0H0N	22,000	0.140	0.027	0.0100	0.0160	10.0
YFF18SC1H223MT0H9N	22,000	0.140	0.027	0.0100	0.0160	10.0
YFF18SC1H103MT0H0N	10,000	0.140	0.025	0.0150	0.0270	10.0
YFF18SC1H103MT0H9N	10,000	0.140	0.025	0.0150	0.0270	10.0
YFF18SC1H472MT0H0N	4,700	0.140	0.027	0.0230	0.0390	10.0
YFF18SC1H472MT0H9N	4,700	0.140	0.027	0.0230	0.0390	10.0
YFF18SC1H222MT0H0N	2,200	0.140	0.039	0.0170	0.0650	10.0
YFF18SC1H222MT0H9N	2,200	0.140	0.039	0.0170	0.0650	10.0
YFF18SC1H102MT0H0N	1,000	0.140	0.037	0.0240	0.1100	10.0
YFF18SC1H102MT0H9N	1,000	0.140	0.037	0.0240	0.1100	10.0
YFF18SC1H471MT0H0N	470	0.140	0.048	0.0130	0.0220	10.0
YFF18SC1H471MT0H9N	470	0.140	0.048	0.0130	0.0220	10.0
YFF18SC1H221MT0H0N	220	0.140	0.047	0.0150	0.0280	10.0
YFF18SC1H221MT0H9N	220	0.140	0.047	0.0150	0.0280	10.0
YFF18SC1H101MT0H0N	100	0.140	0.047	0.0220	0.0410	10.0
YFF18SC1H101MT0H9N	100	0.140	0.047	0.0220	0.0410	10.0
YFF18SC1H470MT0H0N	47	0.140	0.046	0.0370	0.0310	10.0
YFF18SC1H470MT0H9N	47	0.140	0.046	0.0370	0.0310	10.0
YFF18SC1H220MT0H0N	22	0.140	0.043	0.0500	0.0820	10.0
YFF18SC1H220MT0H9N	22	0.140	0.043	0.0500	0.0820	10.0