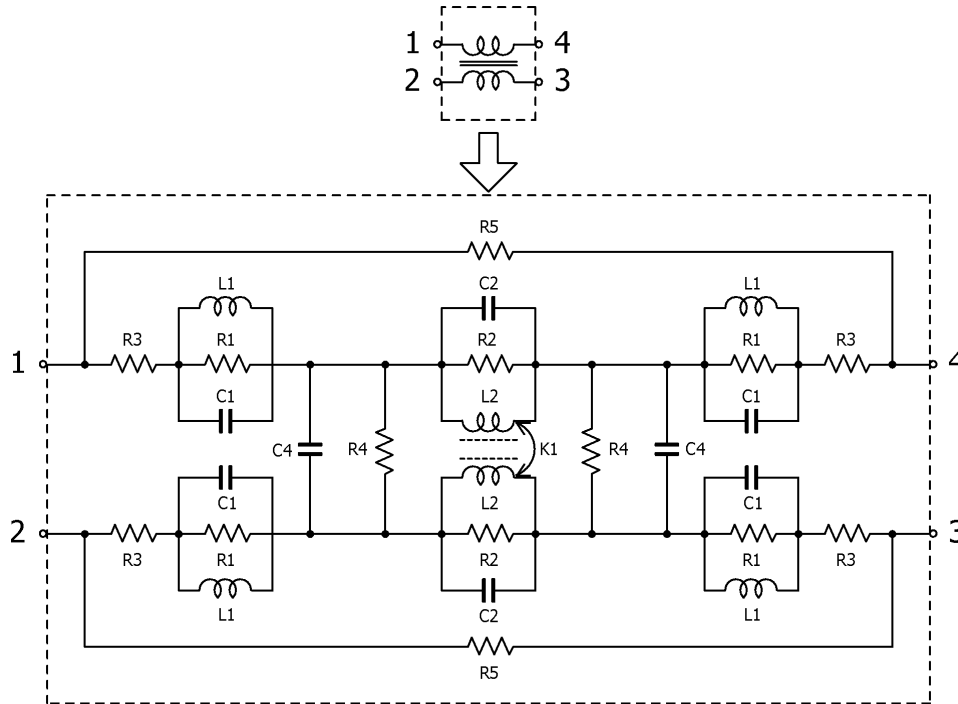


Common Mode Filters

Aug. 28, 2018
Simple Model

Automotive Grade for Power Line / ACM4520V series

Circuit Diagram



Circuit Parameters

Part No.	R1[ohm]	L1[nH]	C1[pF]	R2[ohm]	L2[nH]	C2[pF]	R3[ohm]	R4[Gohm]	C4[pF]	R5[Gohm]	K1
ACM4520V-231-2P-T00	245	11.9	0.01	1,280	848	0.166	0.029	1	1.54	1	1.00000
ACM4520V-421-2P-T00	80	18.3	0.01	1,990	1,400	0.283	0.034	1	2.72	1	1.00000
ACM4520V-901-2P-T00	130	7.0	0.01	2,610	1,890	0.343	0.038	1	3.14	1	1.00000
ACM4520V-142-2P-T00	131	8.6	0.01	3,660	3,480	0.434	0.041	1	3.99	1	1.00000