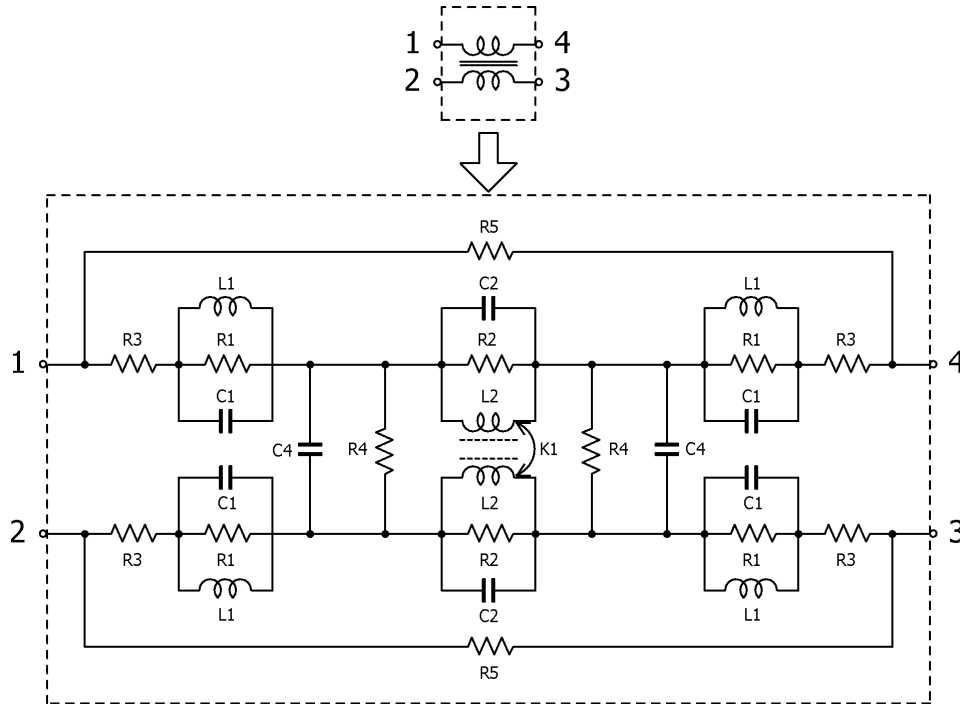


## Power Line Common Mode Chokes/Filters

Dec. 20, 2024  
Simple Model

Automotive Grade for Power Line / ACM55V series

### Circuit Diagram



### Circuit Parameters

Part No.	R1[ohm]	L1[nH]	C1[pF]	R2[ohm]	L2[nH]	C2[pF]	R3[ohm]	R4[Gohm]	C4[pF]	R5[Gohm]	K1
ACM55V-701-2PL-TL00	100	1.0	0.01	1,840	5,780	0.073	0.0065	1	0.65	1	0.93913