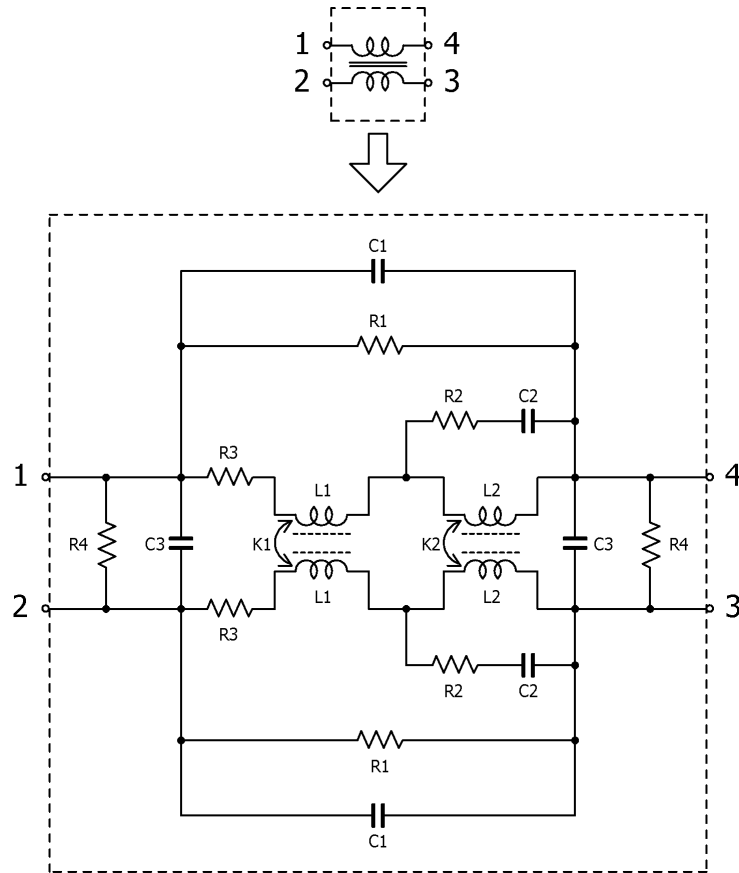


Common Mode Filters

Apr. 7, 2020
Simple Model

Automotive Grade for Power Line / LCV70 series

Circuit Diagram



Circuit Parameters

Part No.	C1[pF]	C2[pF]	C3[pF]	L1[uH]	L2[uH]	R1[ohm]	R2[ohm]	R3[ohm]	R4[Gohm]	K1	K2
LCV70-701-2PL-TL00	0.17	800	0.25	4	4	1,800	400	0.01	10	0.94	0.96