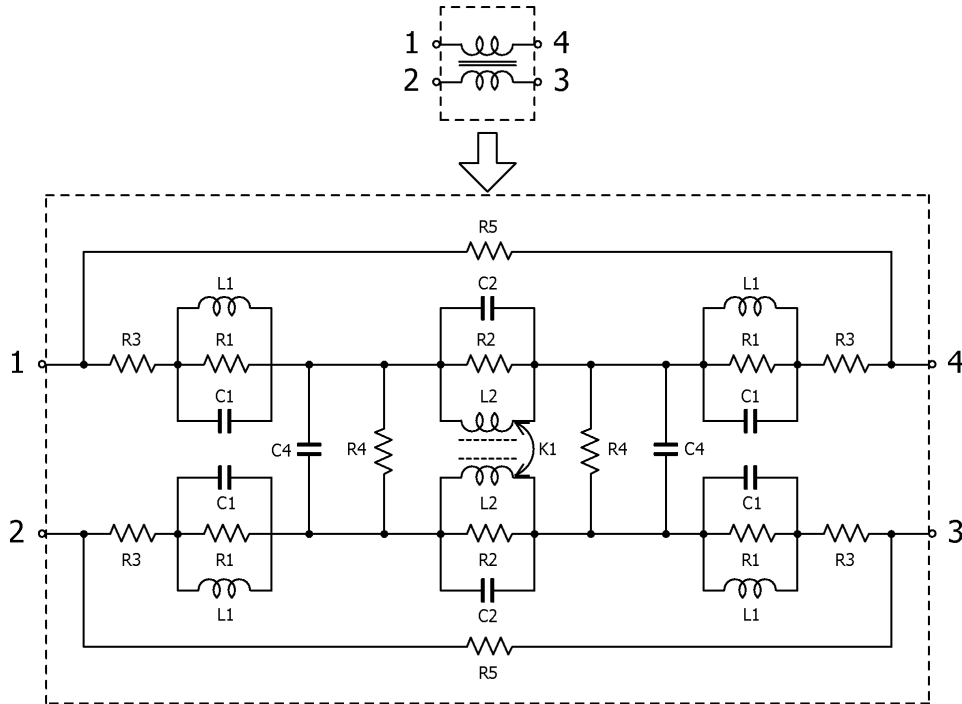


Common Mode Filters

Aug. 18, 2020
Simple Model

Automotive Grade for Signal Line / ACT1210G series

Circuit Diagram



Circuit Parameters

Part No.	R1[ohm]	L1[nH]	C1[pF]	R2[ohm]	L2[nH]	C2[pF]	R3[ohm]	R4[Gohm]	C4[pF]	R5[Gohm]	K1
ACT1210G-800-2P-TL05	53	24.1	0.01	21,000	83,500	0.031	0.960	1	3.83	1	1.00000