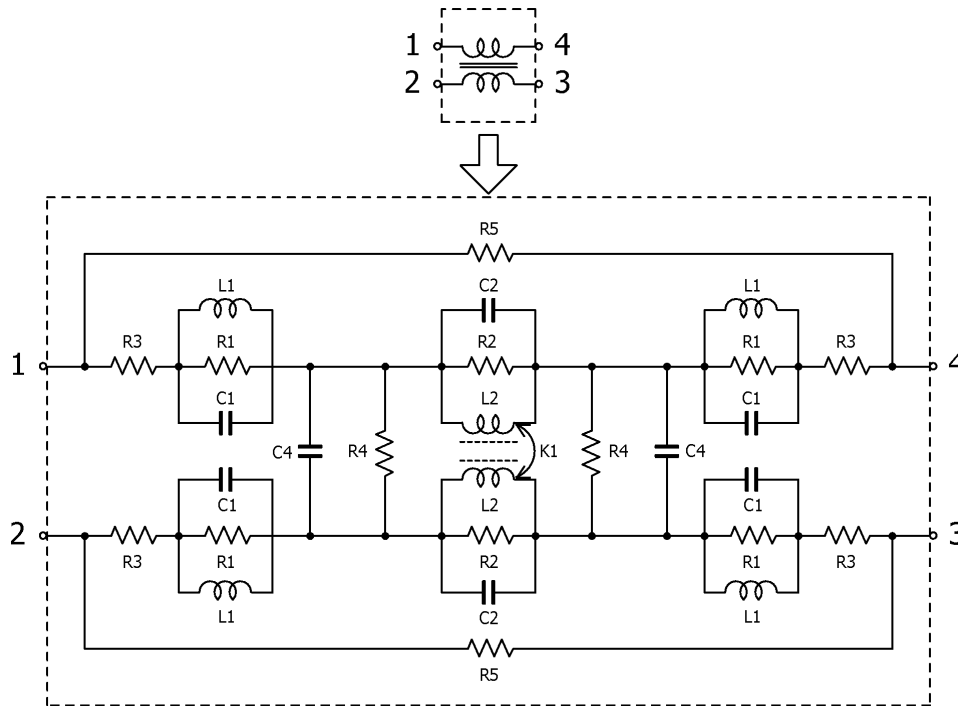


Common Mode Filters

Apr. 7, 2020
Simple Model

Automotive Grade for Signal Line / ACT1210L series

Circuit Diagram



Circuit Parameters

Part No.	R1[ohm]	L1[nH]	C1[pF]	R2[ohm]	L2[nH]	C2[pF]	R3[ohm]	R4[Gohm]	C4[pF]	R5[Gohm]	K1
ACT1210L-101-2P-TL00	49	15.7	0.01	22,200	81,400	0.041	0.647	1	5.80	1	1.00000
ACT1210L-201-2P-TL00	57	31.0	0.01	48,500	195,000	0.055	2.233	1	7.03	1	1.00000