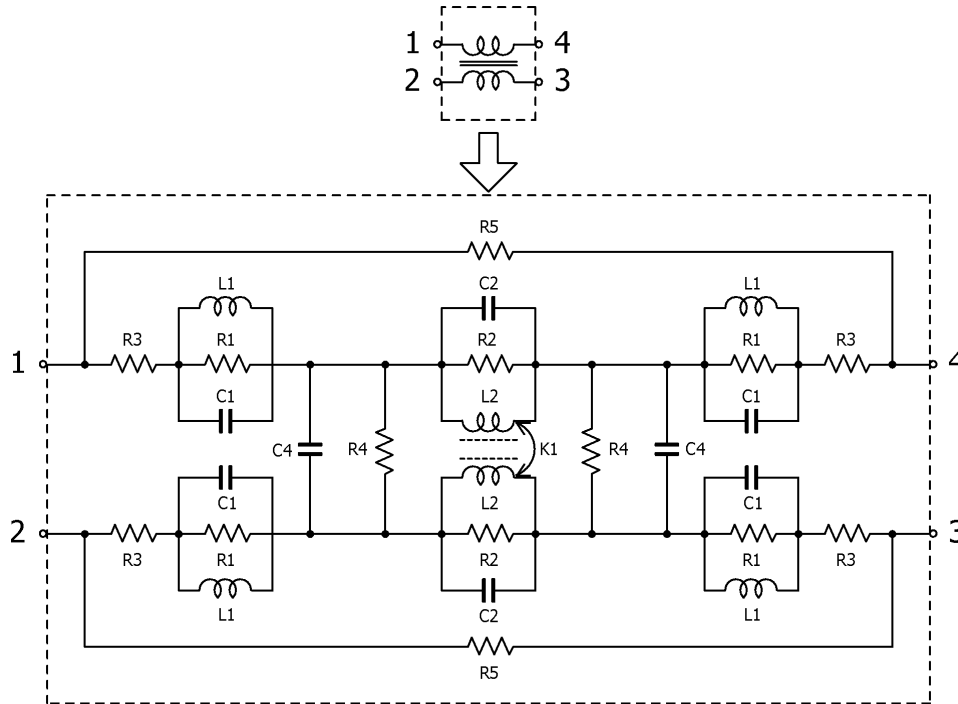


## Common Mode Filters

Aug. 28, 2018  
Simple Model

Commercial Grade for Power Line / ACM1211 series

### Circuit Diagram



### Circuit Parameters

Part No.	R1[ohm]	L1[nH]	C1[pF]	R2[ohm]	L2[nH]	C2[pF]	R3[ohm]	R4[Gohm]	C4[pF]	R5[Gohm]	K1
ACM1211-701-2PL-TL01	100	1.0	0.01	1,740	1,580	0.497	0.00185	1	0.39	1	0.71301
ACM1211-102-2PL-TL01	100	1.0	0.01	2,600	31,900	0.260	0.004	1	0.36	1	0.96906