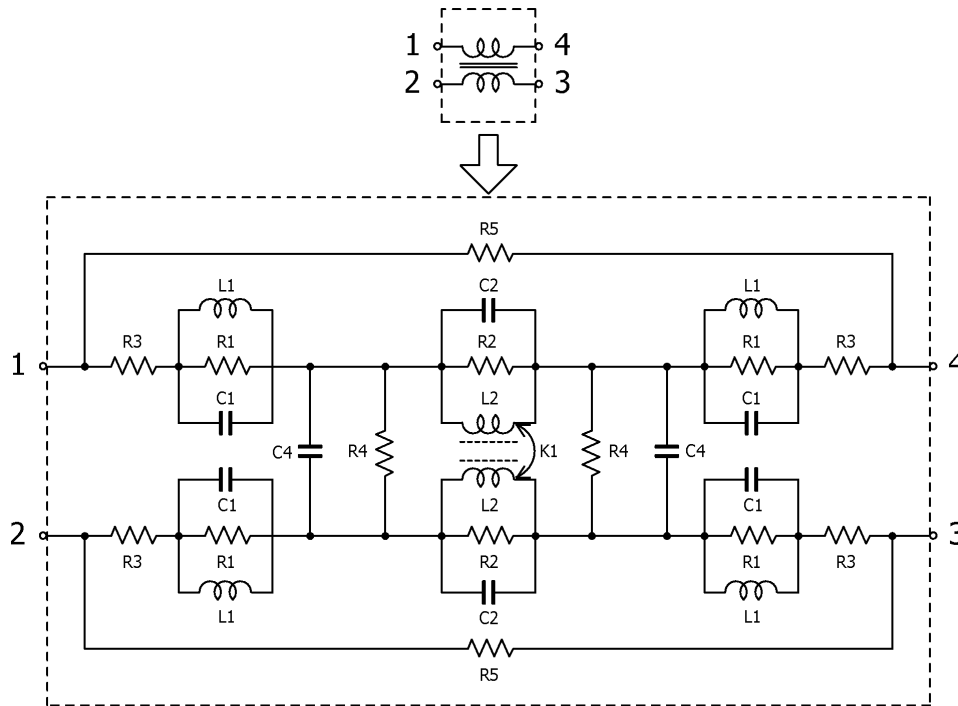


Common Mode Filters

Aug. 28, 2018
Simple Model

Commercial Grade for Power Line / ACM9070 series

Circuit Diagram



Circuit Parameters

Part No.	R1[ohm]	L1[nH]	C1[pF]	R2[ohm]	L2[nH]	C2[pF]	R3[ohm]	R4[Gohm]	C4[pF]	R5[Gohm]	K1
ACM9070-701-2PL-TL01	100	1.0	0.01	1,850	1,590	0.314	0.0028	1	0.31	1	0.76923