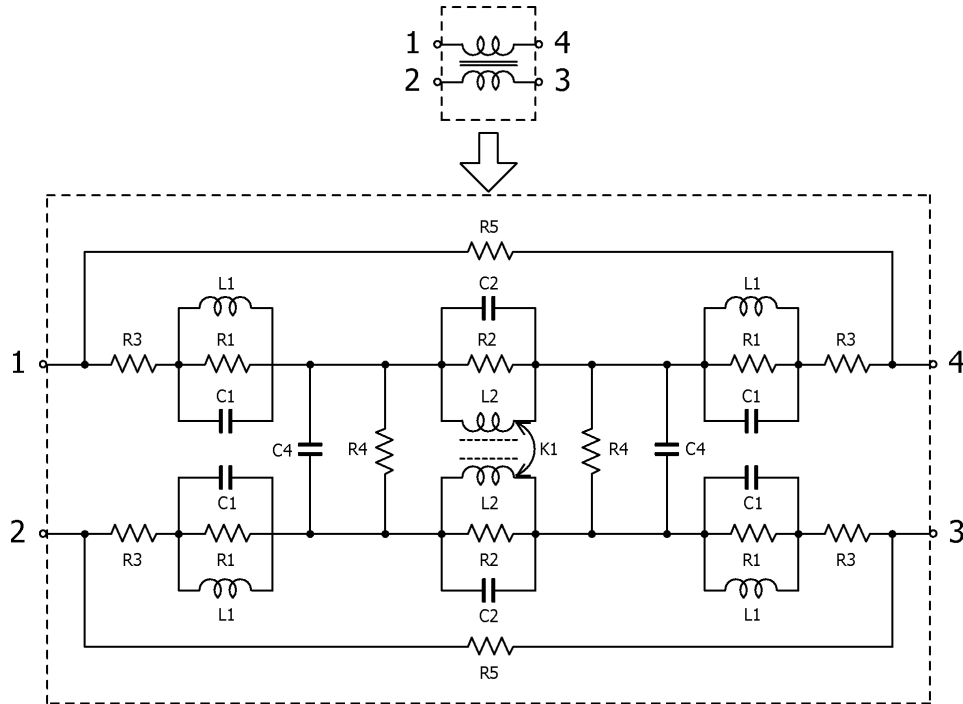


## Common Mode Filters

Apr. 7, 2020  
Simple Model

Commercial Grade for Signal Line (2 Lines) / ACM2012 series

### Circuit Diagram



### Circuit Parameters

Part No.	R1[ohm]	L1[nH]	C1[pF]	R2[ohm]	L2[nH]	C2[pF]	R3[ohm]	R4[Gohm]	C4[pF]	R5[Gohm]	K1
ACM2012-900-2P-T002	311	3.7	0.01	1,210	216	0.018	0.074	1	1.01	1	1.00000
ACM2012-121-2P-T002	99	4.1	0.01	1,210	369	0.017	0.093	1	1.27	1	1.00000
ACM2012-201-2P-T002	74	3.7	0.01	1,680	461	0.021	0.102	1	1.44	1	1.00000
ACM2012-361-2P-T002	75	4.1	0.01	2,990	852	0.020	0.197	1	1.92	1	1.00000
ACM2012-202-2P-T002	58	10.0	0.01	9,510	4,070	0.031	0.809	1	3.10	1	1.00000