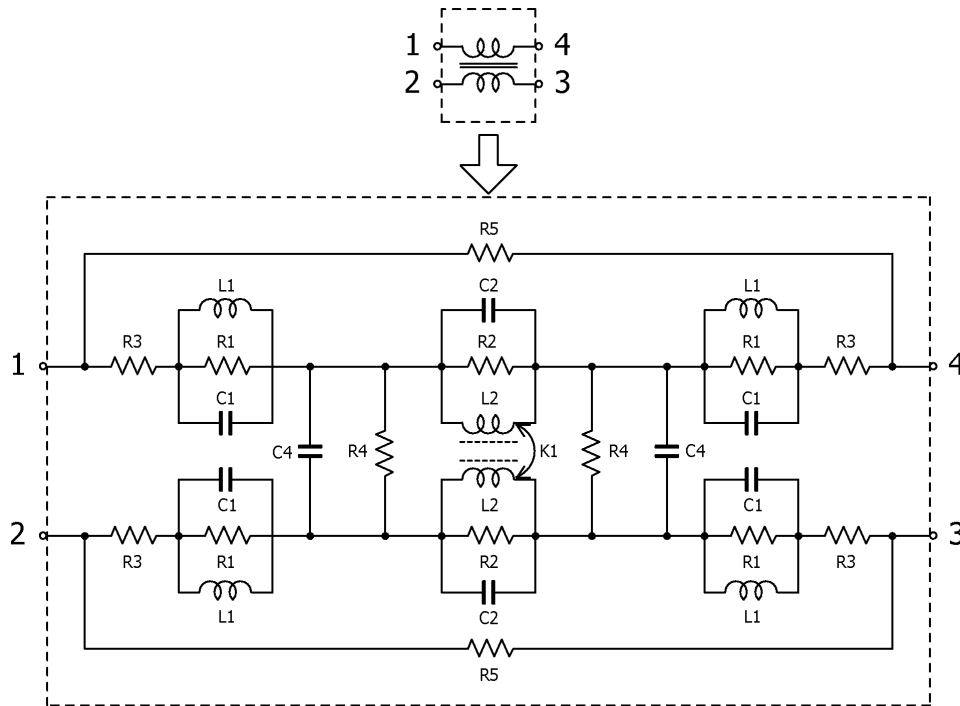


Common Mode Filters

Aug. 28, 2018
Simple Model

Commercial Grade for Signal Line (2 Lines) / ACM2520 series

Circuit Diagram



Circuit Parameters

Part No.	R1[ohm]	L1[nH]	C1[pF]	R2[ohm]	L2[nH]	C2[pF]	R3[ohm]	R4[Gohm]	C4[pF]	R5[Gohm]	K1
ACM2520-301-2P-T002	79	6.3	0.01	1,960	659	0.037	0.139	1	1.57	1	1.00000
ACM2520-451-2P-T002	72	6.3	0.01	2,260	873	0.037	0.161	1	1.80	1	1.00000
ACM2520-601-2P-T002	79	13.6	0.01	2,540	1,220	0.039	0.182	1	2.12	1	1.00000
ACM2520-102-2P-T002	75	14.6	0.01	4,190	2,260	0.043	0.377	1	2.60	1	1.00000