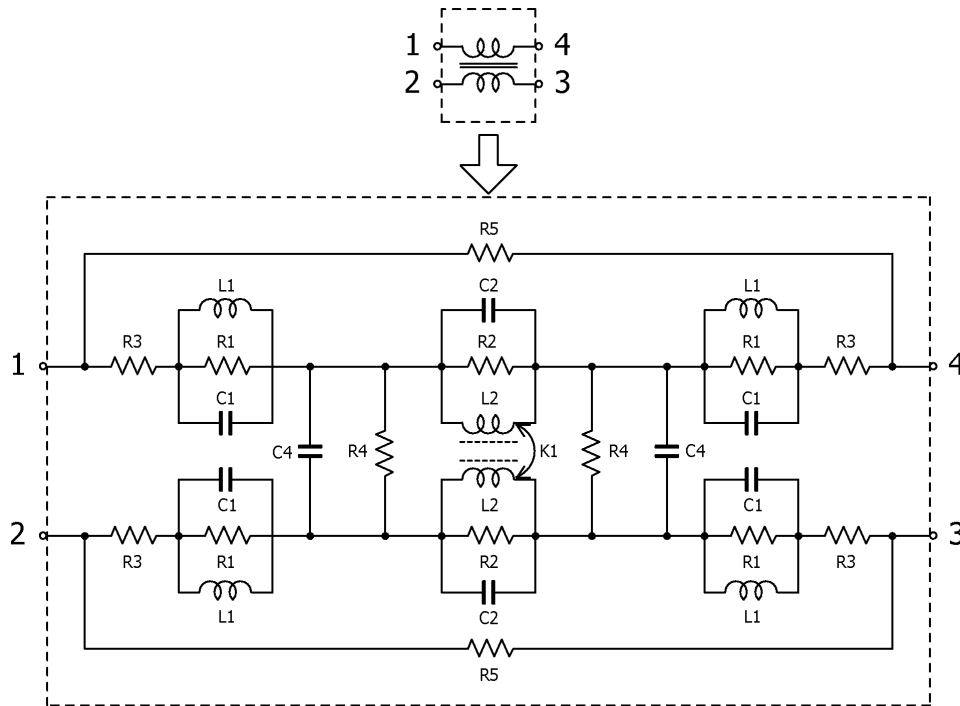


Common Mode Filters

Apr. 18, 2019
Simple Model

Commercial Grade for Signal Line (2 Lines) / MCZ1210CH series

Circuit Diagram



Circuit Parameters

Part No.	R1[ohm]	L1[nH]	C1[pF]	R2[ohm]	L2[nH]	C2[pF]	R3[ohm]	R4[Gohm]	C4[pF]	R5[Gohm]	K1
MCZ1210CH240L2TA0G	93	3.4	0.01	946	43.6	0.166	0.391	1	0.57	1	1.00000
MCZ1210CH900L2TA0G	299	4.2	0.01	1,740	140	0.166	1.150	1	1.01	1	1.00000