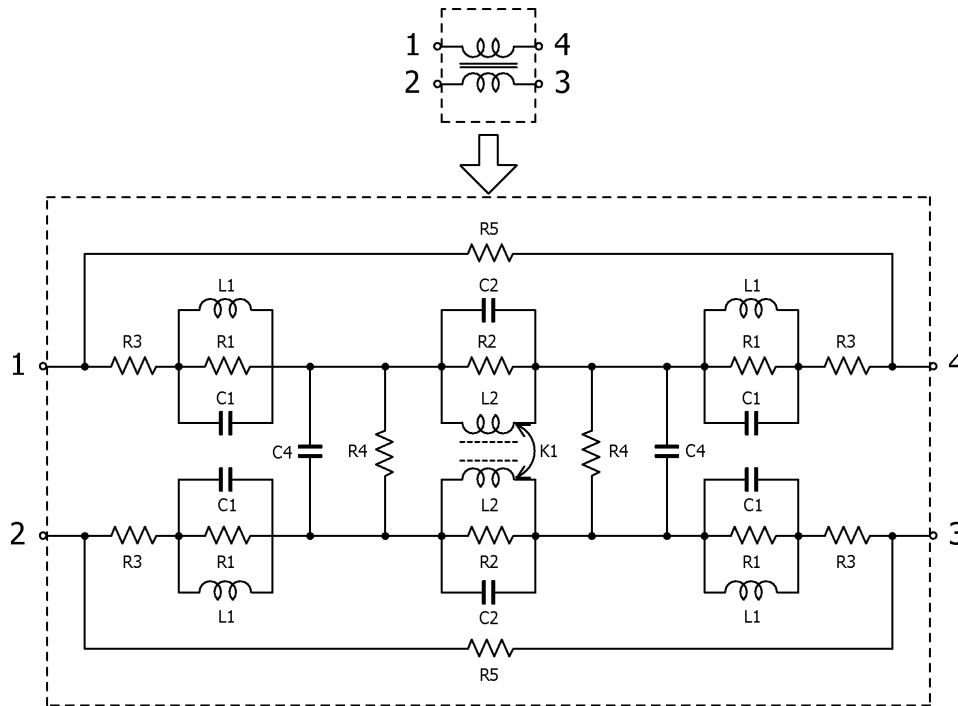


Common Mode Filters

Apr. 18, 2019
Simple Model

Commercial Grade for Signal Line (2 Lines) / MCZ1210DH series

Circuit Diagram



Circuit Parameters

Part No.	R1[ohm]	L1[nH]	C1[pF]	R2[ohm]	L2[nH]	C2[pF]	R3[ohm]	R4[Gohm]	C4[pF]	R5[Gohm]	K1
MCZ1210DH120L2TA0G	58	2.2	0.01	333	16.0	0.0012	0.450	1	0.43	1	1.00000
MCZ1210DH500L2TA0G	66	3.9	0.01	886	85.5	0.052	0.800	1	0.75	1	1.00000
MCZ1210DH900L2TA0G	71	4.4	0.01	1,410	142	0.060	1.050	1	0.88	1	1.00000