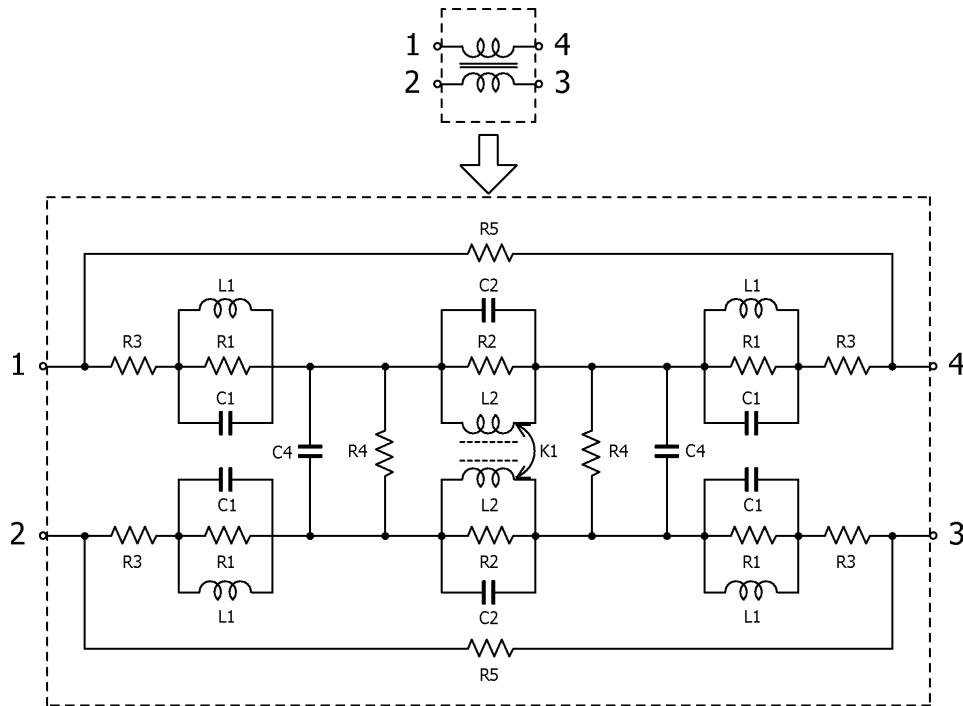


## Common Mode Filters

Aug. 28, 2018  
Simple Model

Commercial Grade for Signal Line (2 Lines) / TCM0605G series

### Circuit Diagram



### Circuit Parameters

Part No.	R1[ohm]	L1[nH]	C1[pF]	R2[ohm]	L2[nH]	C2[pF]	R3[ohm]	R4[Gohm]	C4[pF]	R5[Gohm]	K1
TCM0605G-650-2P-T201	254	2.3	0.01	3,120	113	0.134	1.294	1	0.77	1	1.00000
TCM0605G-900-2P-T201	206	2.2	0.01	2,690	131	0.147	1.510	1	0.93	1	1.00000