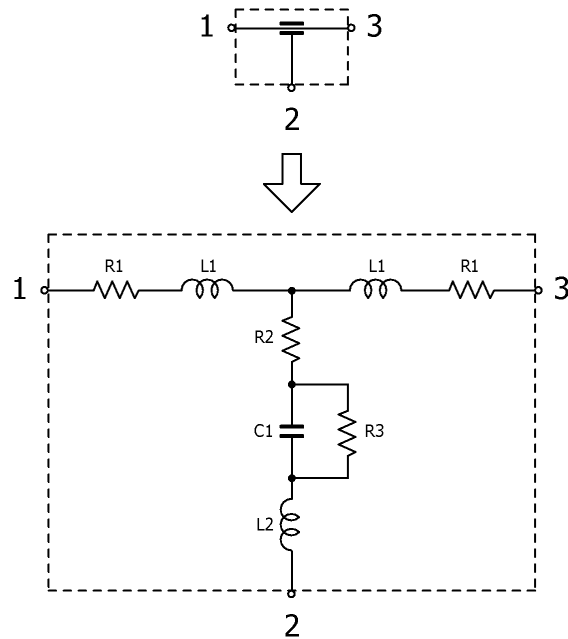


## 3-terminal Filters

Feb. 27, 2026  
Simple Model

Automotive Grade for Large Current Power Line / YFF31AH series

### Circuit Diagram



### Circuit Parameters

Part No.	C1[pF]	L1[nH]	L2[nH]	R1[ohm]	R2[ohm]	R3[Gohm]
YFF31AH2A105MT0Y0N	95,476.284561757	0.156	0.013	0.0016	0.0111	0.500
YFF31AH2A105MT0Y9N	95,476.284561757	0.156	0.013	0.0016	0.0111	0.500
YFF31AH2A104MT0Y0N	10,876.473858561	0.161	0.017	0.0008	0.0246	5.00
YFF31AH2A104MT0Y9N	10,876.473858561	0.161	0.017	0.0008	0.0246	5.00
YFF31AH2A103MT0Y0N	1,071.5871683987	0.167	0.016	0.0005	0.0512	10.0