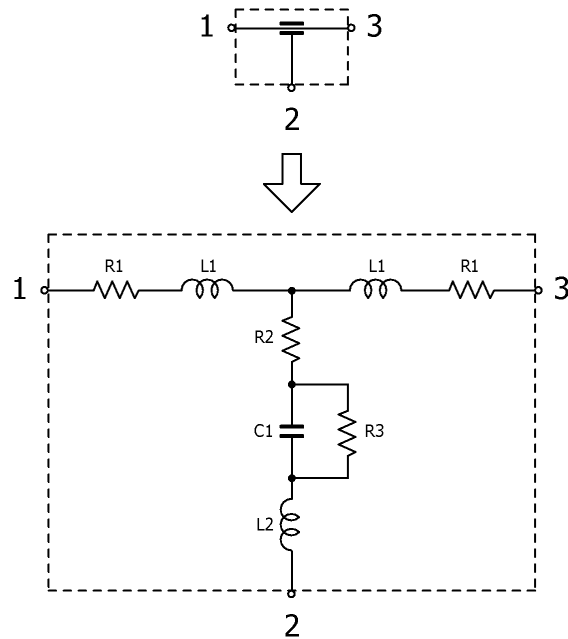


3-terminal Filters

Feb. 27, 2026
Simple Model

Automotive Grade for Standard Circuits / YFF15AC series

Circuit Diagram



Circuit Parameters

Part No.	C1[pF]	L1[nH]	L2[nH]	R1[ohm]	R2[ohm]	R3[Gohm]
YFF15AC0J105MT0Q0E	67,003.21383931	0.081	0.017	0.0027	0.0083	0.100
YFF15AC0G105MT0Q0N	67,003.21383931	0.081	0.017	0.0027	0.0083	0.100
YFF15AC1V224MT0Y0N	18,580.333412792	0.065	0.020	0.0032	0.0107	2.27