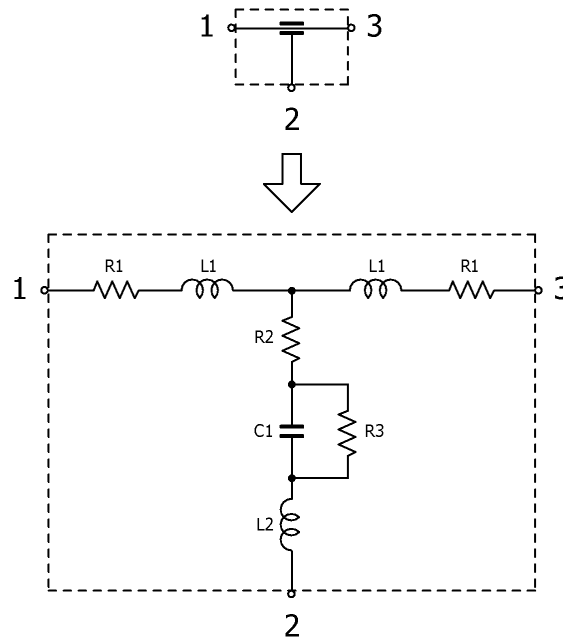


3-terminal Filters

Feb. 27, 2026
Simple Model

Automotive Grade for Standard Circuits / YFF18AC series (1/2)

Circuit Diagram



Circuit Parameters

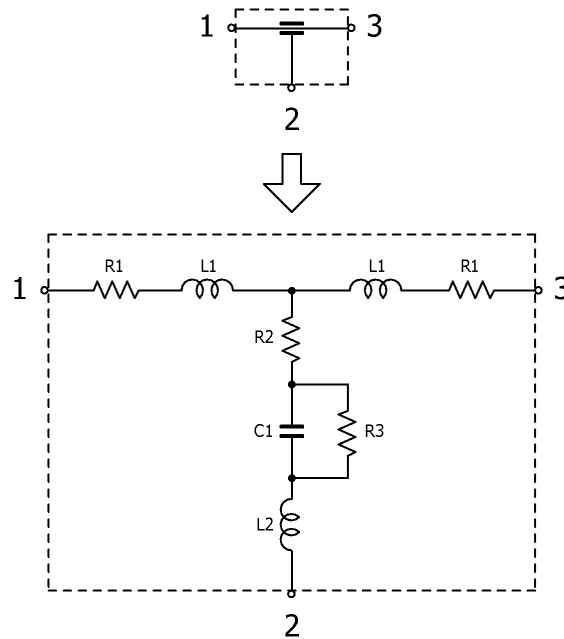
Part No.	C1[pF]	L1[nH]	L2[nH]	R1[ohm]	R2[ohm]	R3[Gohm]
YFF18AC0G475MT0Y0E	383,462.07930557	0.128	0.027	0.0016	0.0055	0.0213
YFF18AC0G106MT0YHE	703,769.51080475	0.121	0.031	0.0008	0.0047	0.0100
YFF18AC1A105MT0Y0E	85,595.85509234	0.177	0.026	0.0042	0.0088	0.100
YFF18AC0J105MT0Y0E	85,595.85509234	0.177	0.026	0.0042	0.0088	0.100
YFF18AC0J105MT0Y9E	85,595.85509234	0.177	0.026	0.0042	0.0088	0.100
YFF18AC1C104MT0Y0N	10,031.393390949	0.136	0.019	0.0049	0.0233	1.00
YFF18AC1C104MT0Y9N	10,031.393390949	0.136	0.019	0.0049	0.0233	1.00
YFF18AC1E223MT0Y0N	2,118.1713652277	0.100	0.019	0.0089	0.0579	10.0
YFF18AC1E223MT0Y9N	2,118.1713652277	0.100	0.019	0.0089	0.0579	10.0
YFF18AC1H103MT0Y0N	8652.22721567534	0.128	0.021	0.0152	0.0815	10.0
YFF18AC1H103MT0Y9N	8652.22721567534	0.128	0.021	0.0152	0.0815	10.0
YFF18AC1H472MT0Y0N	4688.02475092521	0.113	0.040	0.0191	0.0434	10.0
YFF18AC1H472MT0Y9N	4688.02475092521	0.113	0.040	0.0191	0.0434	10.0
YFF18AC1H222MT0Y0N	2083.60017575769	0.166	0.040	0.0135	0.0756	10.0
YFF18AC1H222MT0Y9N	2083.60017575769	0.166	0.040	0.0135	0.0756	10.0
YFF18AC1H102MT0Y0N	1030.29487363695	0.154	0.040	0.0196	0.1300	10.0
YFF18AC1H102MT0Y9N	1030.29487363695	0.154	0.040	0.0196	0.1300	10.0
YFF18AC1H471MT0Y0N	471.835220213785	0.154	0.045	0.0116	0.0275	10.0
YFF18AC1H471MT0Y9N	471.835220213785	0.154	0.045	0.0116	0.0275	10.0
YFF18AC1H221MT0Y0N	216.30874196467	0.079	0.051	0.0158	0.0384	10.0
YFF18AC1H221MT0Y9N	216.30874196467	0.079	0.051	0.0158	0.0384	10.0
YFF18AC1H101MT0Y0N	103.915660939635	0.112	0.050	0.0198	0.0507	10.0
YFF18AC1H101MT0Y9N	103.915660939635	0.112	0.050	0.0198	0.0507	10.0
YFF18AC1H470MT0Y0N	51.1881389149191	0.136	0.040	0.0349	0.0811	10.0

3-terminal Filters

Feb. 27, 2026
Simple Model

Automotive Grade for Standard Circuits / YFF18AC series (2/2)

Circuit Diagram



Circuit Parameters

Part No.	C1[pF]	L1[nH]	L2[nH]	R1[ohm]	R2[ohm]	R3[Gohm]
YFF18AC1H470MT0Y9N	51.1881389149191	0.136	0.040	0.0349	0.0811	10.0
YFF18AC1H220MT0Y0N	25.1603995260725	0.115	0.040	0.0459	0.1392	10.0
YFF18AC1H220MT0Y9N	25.1603995260725	0.115	0.040	0.0459	0.1392	10.0