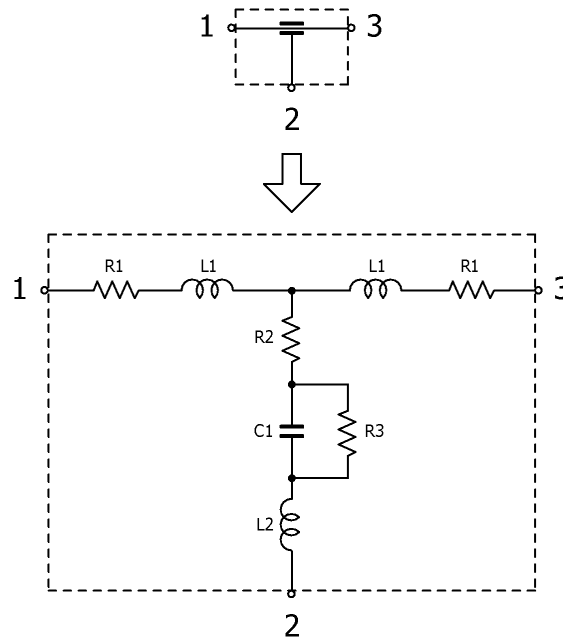


3-terminal Filters

Feb. 27, 2026
Simple Model

Automotive Grade for Standard Circuits / YFF21AC series (1/2)

Circuit Diagram



Circuit Parameters

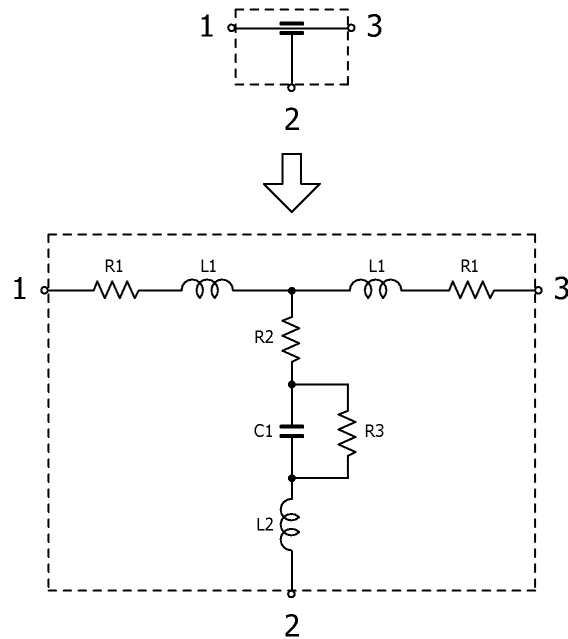
Part No.	C1[pF]	L1[nH]	L2[nH]	R1[ohm]	R2[ohm]	R3[Gohm]
YFF21AC1A475MT0Y0N	390,712.10198463	0.127	0.033	0.0010	0.0049	0.0213
YFF21AC1C474MT0Y0N	48,162.782594459	0.157	0.025	0.0021	0.0144	0.213
YFF21AC1C474MT0Y9N	48,162.782594459	0.157	0.025	0.0021	0.0144	0.213
YFF21AC1E104MT0Y0N	10,298.0727266	0.170	0.037	0.0051	0.0233	5.00
YFF21AC1E104MT0Y9N	10,298.0727266	0.170	0.037	0.0051	0.0233	5.00
YFF21AC1E473MT0Y0N	4,892.81402193	0.152	0.029	0.0050	0.0292	10.0
YFF21AC1E473MT0Y9N	4,892.81402193	0.152	0.029	0.0050	0.0292	10.0
YFF21AC1E223MT0Y0N	2,268.0603695624	0.201	0.050	0.0120	0.0275	10.0
YFF21AC1E223MT0Y9N	2,268.0603695624	0.201	0.050	0.0120	0.0275	10.0
YFF21AC1E103MT0Y0N	9936.08663505019	0.262	0.053	0.0200	0.0373	10.0
YFF21AC1E103MT0Y9N	9936.08663505019	0.262	0.053	0.0200	0.0373	10.0
YFF21AC1H472MT0Y0N	4583.87259439652	0.280	0.054	0.0380	0.0475	10.0
YFF21AC1H472MT0Y9N	4583.87259439652	0.280	0.054	0.0380	0.0475	10.0
YFF21AC1H222MT0Y0N	2237.34315418615	0.238	0.050	0.0342	0.0652	10.0
YFF21AC1H222MT0Y9N	2237.34315418615	0.238	0.050	0.0342	0.0652	10.0
YFF21AC1H102MT0Y0N	1043.29668433193	0.277	0.037	0.0585	0.1133	10.0
YFF21AC1H102MT0Y9N	1043.29668433193	0.277	0.037	0.0585	0.1133	10.0
YFF21AC1H471MT0Y0N	489.158969060755	0.125	0.070	0.0068	0.0413	10.0
YFF21AC1H471MT0Y9N	489.158969060755	0.125	0.070	0.0068	0.0413	10.0
YFF21AC1H221MT0Y0N	215.493231278335	0.220	0.055	0.0106	0.0383	10.0
YFF21AC1H221MT0Y9N	215.493231278335	0.220	0.055	0.0106	0.0383	10.0
YFF21AC1H101MT0Y0N	106.121354477282	0.151	0.057	0.0166	0.0692	10.0
YFF21AC1H101MT0Y9N	106.121354477282	0.151	0.057	0.0166	0.0692	10.0
YFF21AC1H470MT0Y0N	51.3164977824627	0.214	0.060	0.0147	0.0984	10.0

3-terminal Filters

Feb. 27, 2026
Simple Model

Automotive Grade for Standard Circuits / YFF21AC series (2/2)

Circuit Diagram



Circuit Parameters

Part No.	C1[pF]	L1[nH]	L2[nH]	R1[ohm]	R2[ohm]	R3[Gohm]
YFF21AC1H470MT0Y9N	51.3164977824627	0.214	0.060	0.0147	0.0984	10.0
YFF21AC1H220MT0Y0N	23.2927377406194	0.190	0.050	0.0279	0.1209	10.0
YFF21AC1H220MT0Y9N	23.2927377406194	0.190	0.050	0.0279	0.1209	10.0