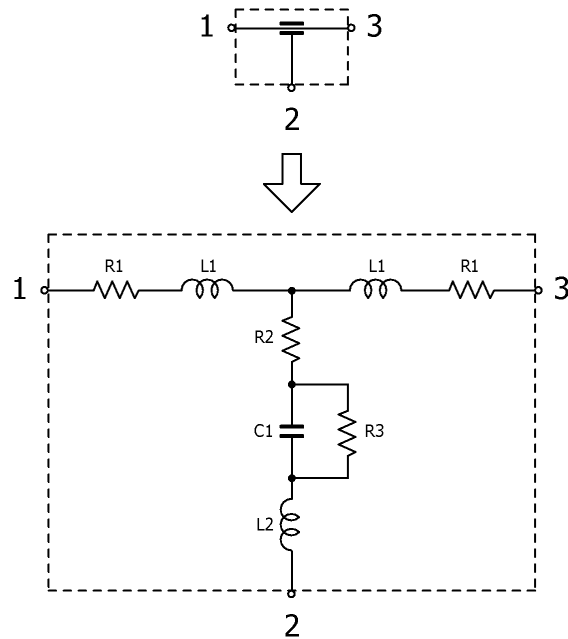


3-terminal Filters

Feb. 27, 2026
Simple Model

Commercial Grade for Large Current Power Line / YFF31HC series

Circuit Diagram



Circuit Parameters

Part No.	C1[pF]	L1[nH]	L2[nH]	R1[ohm]	R2[ohm]	R3[Gohm]
YFF31HC2A105MT000N	95,476.284561757	0.156	0.013	0.0016	0.0111	0.500
YFF31HC2A105MT009N	95,476.284561757	0.156	0.013	0.0016	0.0111	0.500
YFF31HC2A104MT000N	10,876.473858561	0.161	0.017	0.0008	0.0246	5.00
YFF31HC2A104MT009N	10,876.473858561	0.161	0.017	0.0008	0.0246	5.00
YFF31HC1H153MT000N	1,479.3410618305	0.147	0.016	0.0003	0.0709	10.0
YFF31HC1H153MT009N	1,479.3410618305	0.147	0.016	0.0003	0.0709	10.0
YFF31HC2A103MT000N	1,087.4619789826	0.162	0.017	0.0005	0.0915	10.0
YFF31HC2A103MT009N	1,087.4619789826	0.162	0.017	0.0005	0.0915	10.0