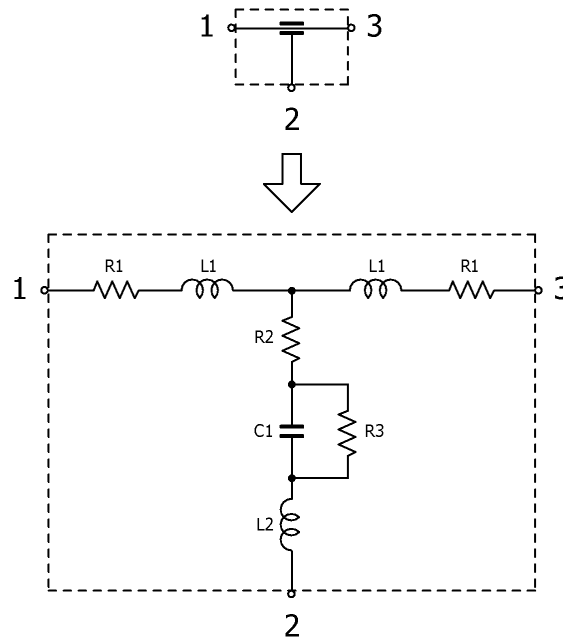


## 3-terminal Filters

Feb. 27, 2026  
Simple Model

Commercial Grade for Standard Circuits / YFF15PC series

### Circuit Diagram



### Circuit Parameters

| Part No.           | C1[pF]           | L1[nH] | L2[nH] | R1[ohm] | R2[ohm] | R3[Gohm] |
|--------------------|------------------|--------|--------|---------|---------|----------|
| YFF15PC0G435MT000N | 287,335.14849942 | 0.083  | 0.016  | 0.0025  | 0.0046  | 0.0233   |
| YFF15PC0G435MT009N | 287,335.14849942 | 0.083  | 0.016  | 0.0025  | 0.0046  | 0.0233   |
| YFF15PC0G105MT000N | 77,722.170739641 | 0.078  | 0.015  | 0.0026  | 0.0075  | 0.100    |
| YFF15PC0G105MT009N | 77,722.170739641 | 0.078  | 0.015  | 0.0026  | 0.0075  | 0.100    |
| YFF15PC0J105MT000N | 77,722.170739641 | 0.078  | 0.015  | 0.0026  | 0.0075  | 0.100    |
| YFF15PC0J105MT009N | 77,722.170739641 | 0.078  | 0.015  | 0.0026  | 0.0075  | 0.100    |
| YFF15PC0J105MT0A0E | 67,003.21383931  | 0.081  | 0.017  | 0.0027  | 0.0083  | 0.100    |
| YFF15PC0J474MT000N | 39,440.028069191 | 0.078  | 0.018  | 0.0037  | 0.0094  | 0.213    |
| YFF15PC0J474MT009N | 39,440.028069191 | 0.078  | 0.018  | 0.0037  | 0.0094  | 0.213    |
| YFF15PC1A224MT000N | 18,664.167474932 | 0.104  | 0.016  | 0.0070  | 0.0128  | 0.455    |
| YFF15PC1A224MT009N | 18,664.167474932 | 0.104  | 0.016  | 0.0070  | 0.0128  | 0.455    |
| YFF15PC1V224MT000N | 18,580.333412792 | 0.065  | 0.020  | 0.0032  | 0.0107  | 2.27     |
| YFF15PC1C104MT000N | 9,525.2241515656 | 0.123  | 0.019  | 0.0114  | 0.0160  | 1.00     |
| YFF15PC1C104MT009N | 9,525.2241515656 | 0.123  | 0.019  | 0.0114  | 0.0160  | 1.00     |