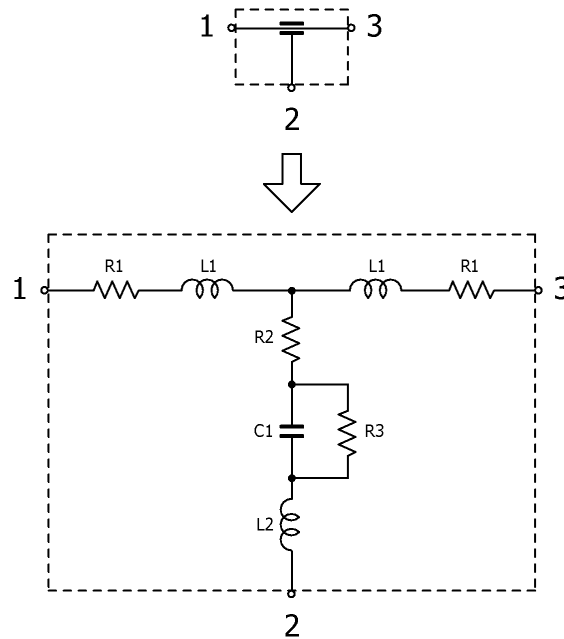


3-terminal Filters

Feb. 27, 2026
Simple Model

Commercial Grade for Standard Circuits / YFF18PC series

Circuit Diagram



Circuit Parameters

Part No.	C1[pF]	L1[nH]	L2[nH]	R1[ohm]	R2[ohm]	R3[Gohm]
YFF18PC0J475MT0H0N	354,688.97770036	0.122	0.022	0.0015	0.0050	0.0213
YFF18PC0J475MT0H9N	354,688.97770036	0.122	0.022	0.0015	0.0050	0.0213
YFF18PC0J105MT0H0N	76,175.762940056	0.134	0.020	0.0056	0.0082	0.100
YFF18PC0J105MT0H9N	76,175.762940056	0.134	0.020	0.0056	0.0082	0.100
YFF18PC0J474MT0H0N	44,013.997281005	0.127	0.016	0.0035	0.0117	0.213
YFF18PC0J474MT0H9N	44,013.997281005	0.127	0.016	0.0035	0.0117	0.213
YFF18PC0J224MT0H0N	22,194.961898973	0.104	0.016	0.0033	0.0176	0.455
YFF18PC0J224MT0H9N	22,194.961898973	0.104	0.016	0.0033	0.0176	0.455
YFF18PC1C104MT0H0N	9,770.4406316463	0.122	0.023	0.0052	0.0283	1.00
YFF18PC1C104MT0H9N	9,770.4406316463	0.122	0.023	0.0052	0.0283	1.00