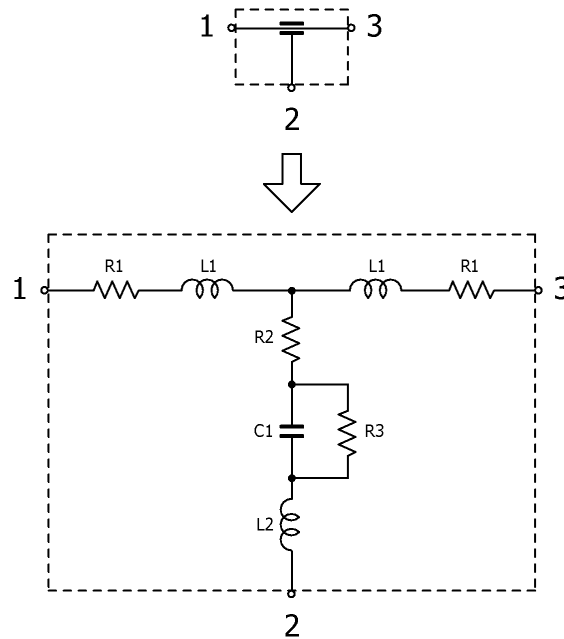


3-terminal Filters

Feb. 27, 2026
Simple Model

Commercial Grade for Standard Circuits / YFF18PH series

Circuit Diagram



Circuit Parameters

Part No.	C1[pF]	L1[nH]	L2[nH]	R1[ohm]	R2[ohm]	R3[Gohm]
YFF18PH0J106MT00HE	703,769.51080475	0.121	0.031	0.0008	0.0047	0.0100
YFF18PH0J225MT000N	186,151.208787	0.112	0.020	0.0015	0.0075	0.0455
YFF18PH0J225MT009N	186,151.208787	0.112	0.020	0.0015	0.0075	0.0455
YFF18PH0J105MT000N	92,180.037077198	0.117	0.022	0.0017	0.0105	0.100
YFF18PH0J105MT009N	92,180.037077198	0.117	0.022	0.0017	0.0105	0.100