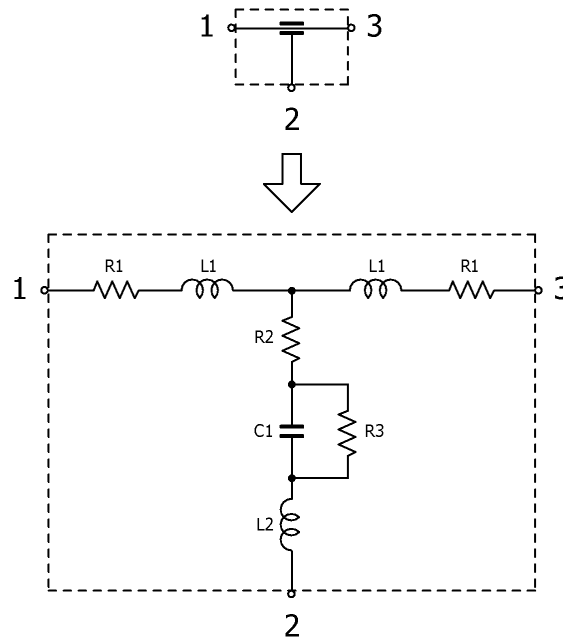


**3-terminal Filters**

Feb. 27, 2026  
Simple Model

Commercial Grade for Standard Circuits / YFF18PW series

**Circuit Diagram**



**Circuit Parameters**

Part No.	C1[pF]	L1[nH]	L2[nH]	R1[ohm]	R2[ohm]	R3[Gohm]
YFF18PW0J475MT0H0N	343,362.77033457	0.146	0.0056	0.0030	0.0031	0.0213
YFF18PW0J475MT0H9N	343,362.77033457	0.146	0.0056	0.0030	0.0031	0.0213
YFF18PW0J105MT0H0N	86,255.186712182	0.138	0.006	0.0064	0.0043	0.100
YFF18PW0J105MT0H9N	86,255.186712182	0.138	0.006	0.0064	0.0043	0.100
YFF18PW0J474MT0H0N	41,393.922449188	0.167	0.0056	0.0077	0.0062	0.213
YFF18PW0J474MT0H9N	41,393.922449188	0.167	0.0056	0.0077	0.0062	0.213