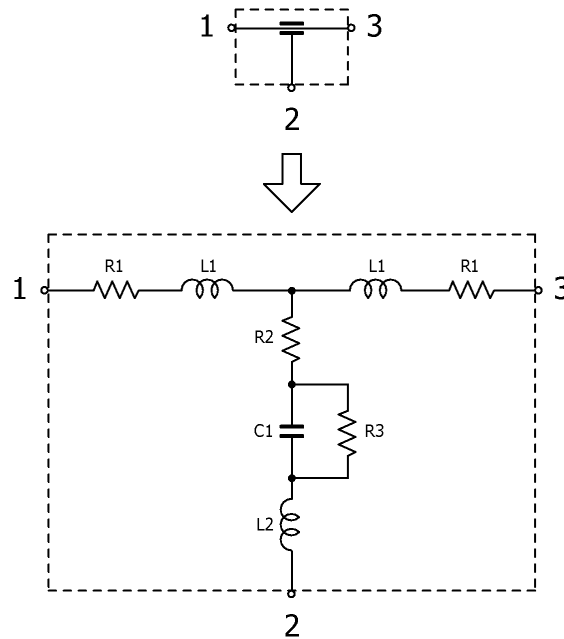


3-terminal Filters

Feb. 27, 2026
Simple Model

Commercial Grade for Standard Circuits / YFF21PC series

Circuit Diagram



Circuit Parameters

Part No.	C1[pF]	L1[nH]	L2[nH]	R1[ohm]	R2[ohm]	R3[Gohm]
YFF21PC0J226MTJ00N	1,499,676.0568384	0.119	0.032	0.00075	0.0033	0.00455
YFF21PC1A475MT000N	390,712.10198463	0.127	0.033	0.0010	0.0049	0.0213
YFF21PC1A105MT000N	95,743.497180036	0.124	0.026	0.0014	0.0118	0.100
YFF21PC1A105MT009N	95,743.497180036	0.124	0.026	0.0014	0.0118	0.100
YFF21PC1C474MT000N	48,162.782594459	0.157	0.025	0.0021	0.0144	0.213
YFF21PC1C474MT009N	48,162.782594459	0.157	0.025	0.0021	0.0144	0.213