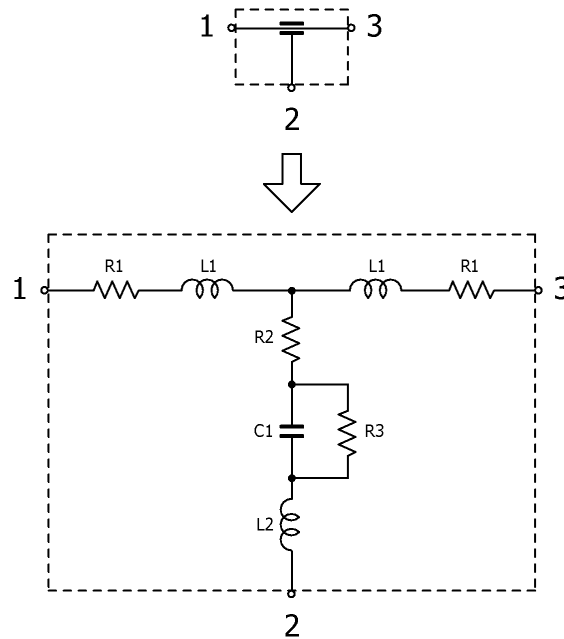


3-terminal Filters

Feb. 27, 2026
Simple Model

Commercial Grade for Standard Circuits / YFF31PC series

Circuit Diagram



Circuit Parameters

Part No.	C1[pF]	L1[nH]	L2[nH]	R1[ohm]	R2[ohm]	R3[Gohm]
YFF31PC0J226MTJ00N	1,779,822.2632087	0.232	0.033	0.0011	0.0025	0.00455
YFF31PC1C105MT000N	98,143.395934963	0.245	0.028	0.0024	0.0099	0.100
YFF31PC1C105MT009N	98,143.395934963	0.245	0.028	0.0024	0.0099	0.100
YFF31PC1C474MT000N	45,959.065696166	0.359	0.037	0.0050	0.0085	0.213
YFF31PC1C474MT009N	45,959.065696166	0.359	0.037	0.0050	0.0085	0.213
YFF31PC1C224MT000N	22,114.741194362	0.425	0.045	0.0105	0.0105	0.455
YFF31PC1C224MT009N	22,114.741194362	0.425	0.045	0.0105	0.0105	0.455