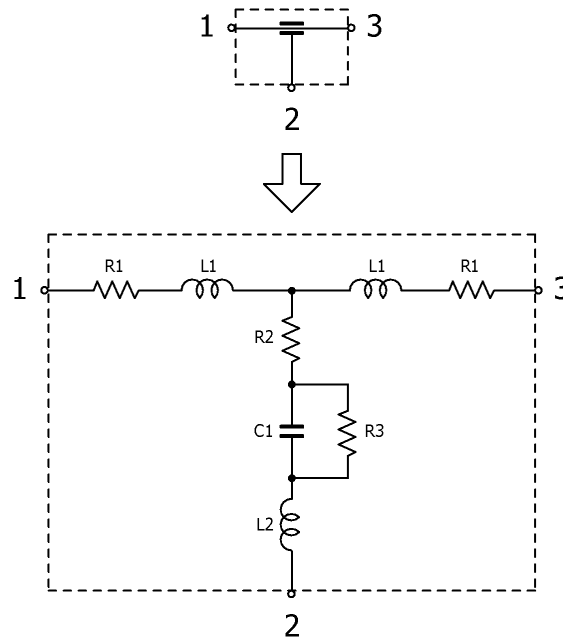


## 3-terminal Filters

Feb. 27, 2026  
Simple Model

Commercial Grade for High Frequency Circuits / YFF15SC series

### Circuit Diagram



### Circuit Parameters

| Part No.           | C1[pF]           | L1[nH] | L2[nH] | R1[ohm] | R2[ohm] | R3[Gohm] |
|--------------------|------------------|--------|--------|---------|---------|----------|
| YFF15SC1C473MT000N | 4,315.1407968124 | 0.090  | 0.017  | 0.0085  | 0.0246  | 2.13     |
| YFF15SC1C473MT009N | 4,315.1407968124 | 0.090  | 0.017  | 0.0085  | 0.0246  | 2.13     |
| YFF15SC1C223MT000N | 1,848.2030951493 | 0.101  | 0.017  | 0.0149  | 0.0400  | 4.55     |
| YFF15SC1C223MT009N | 1,848.2030951493 | 0.101  | 0.017  | 0.0149  | 0.0400  | 4.55     |
| YFF15SC1E103MT000N | 9490.94627460466 | 0.091  | 0.019  | 0.0179  | 0.0469  | 10.0     |
| YFF15SC1E103MT009N | 9490.94627460466 | 0.091  | 0.019  | 0.0179  | 0.0469  | 10.0     |
| YFF15SC1E472MT000N | 4528.26985949481 | 0.147  | 0.026  | 0.0372  | 0.0410  | 10.0     |
| YFF15SC1E472MT009N | 4528.26985949481 | 0.147  | 0.026  | 0.0372  | 0.0410  | 10.0     |
| YFF15SC1E222MT000N | 1901.01696416894 | 0.090  | 0.025  | 0.0130  | 0.0780  | 10.0     |
| YFF15SC1E222MT009N | 1901.01696416894 | 0.090  | 0.025  | 0.0130  | 0.0780  | 10.0     |
| YFF15SC1E102MT000N | 1014.0111911578  | 0.105  | 0.020  | 0.0179  | 0.1138  | 10.0     |
| YFF15SC1E102MT009N | 1014.0111911578  | 0.105  | 0.020  | 0.0179  | 0.1138  | 10.0     |
| YFF15SC1E471MT000N | 429.096428404211 | 0.102  | 0.019  | 0.0443  | 0.1793  | 10.0     |
| YFF15SC1E471MT009N | 429.096428404211 | 0.102  | 0.019  | 0.0443  | 0.1793  | 10.0     |
| YFF15SC1H221MT000N | 223.98544145194  | 0.102  | 0.030  | 0.0163  | 0.0602  | 10.0     |
| YFF15SC1H221MT009N | 223.98544145194  | 0.102  | 0.030  | 0.0163  | 0.0602  | 10.0     |
| YFF15SC1H101MT000N | 97.9066720937438 | 0.145  | 0.030  | 0.0353  | 0.0696  | 10.0     |
| YFF15SC1H101MT009N | 97.9066720937438 | 0.145  | 0.030  | 0.0353  | 0.0696  | 10.0     |
| YFF15SC1H470MT000N | 52.621915378853  | 0.109  | 0.030  | 0.0338  | 0.0946  | 10.0     |
| YFF15SC1H470MT009N | 52.621915378853  | 0.109  | 0.030  | 0.0338  | 0.0946  | 10.0     |
| YFF15SC1H220MT000N | 24.1618011217074 | 0.124  | 0.026  | 0.0614  | 0.1338  | 10.0     |
| YFF15SC1H220MT009N | 24.1618011217074 | 0.124  | 0.026  | 0.0614  | 0.1338  | 10.0     |