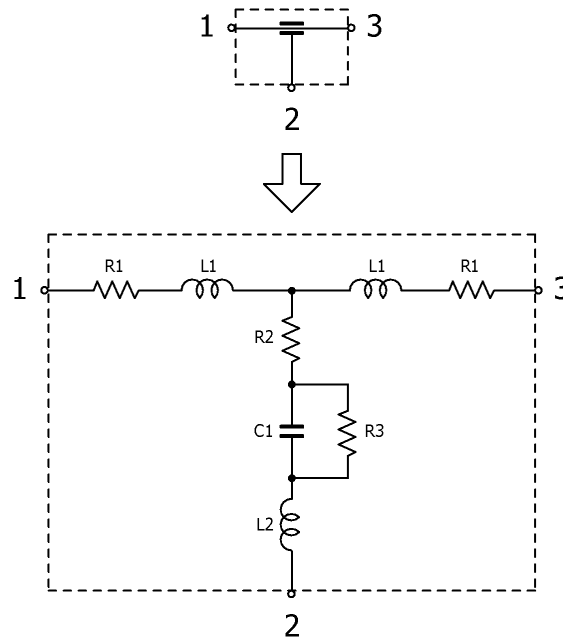


## 3-terminal Filters

Feb. 27, 2026  
Simple Model

Commercial Grade for High Frequency Circuits / YFF18SC series

### Circuit Diagram



### Circuit Parameters

Part No.	C1[pF]	L1[nH]	L2[nH]	R1[ohm]	R2[ohm]	R3[Gohm]
YFF18SC1H223MT0H0N	2,118.1713652277	0.100	0.019	0.0089	0.0579	10.0
YFF18SC1H223MT0H9N	2,118.1713652277	0.100	0.019	0.0089	0.0579	10.0
YFF18SC1H103MT0H0N	8652.22721567534	0.128	0.021	0.0152	0.0815	10.0
YFF18SC1H103MT0H9N	8652.22721567534	0.128	0.021	0.0152	0.0815	10.0
YFF18SC1H472MT0H0N	4688.02475092521	0.113	0.040	0.0191	0.0434	10.0
YFF18SC1H472MT0H9N	4688.02475092521	0.113	0.040	0.0191	0.0434	10.0
YFF18SC1H222MT0H0N	2083.60017575769	0.166	0.040	0.0135	0.0756	10.0
YFF18SC1H222MT0H9N	2083.60017575769	0.166	0.040	0.0135	0.0756	10.0
YFF18SC1H102MT0H0N	1030.29487363695	0.154	0.040	0.0196	0.1300	10.0
YFF18SC1H102MT0H9N	1030.29487363695	0.154	0.040	0.0196	0.1300	10.0
YFF18SC1H471MT0H0N	471.835220213785	0.154	0.045	0.0116	0.0275	10.0
YFF18SC1H471MT0H9N	471.835220213785	0.154	0.045	0.0116	0.0275	10.0
YFF18SC1H221MT0H0N	216.30874196467	0.079	0.051	0.0158	0.0384	10.0
YFF18SC1H221MT0H9N	216.30874196467	0.079	0.051	0.0158	0.0384	10.0
YFF18SC1H101MT0H0N	103.915660939635	0.112	0.050	0.0198	0.0507	10.0
YFF18SC1H101MT0H9N	103.915660939635	0.112	0.050	0.0198	0.0507	10.0
YFF18SC1H470MT0H0N	51.1881389149191	0.136	0.040	0.0349	0.0811	10.0
YFF18SC1H470MT0H9N	51.1881389149191	0.136	0.040	0.0349	0.0811	10.0
YFF18SC1H220MT0H0N	25.1603995260725	0.115	0.040	0.0459	0.1392	10.0
YFF18SC1H220MT0H9N	25.1603995260725	0.115	0.040	0.0459	0.1392	10.0