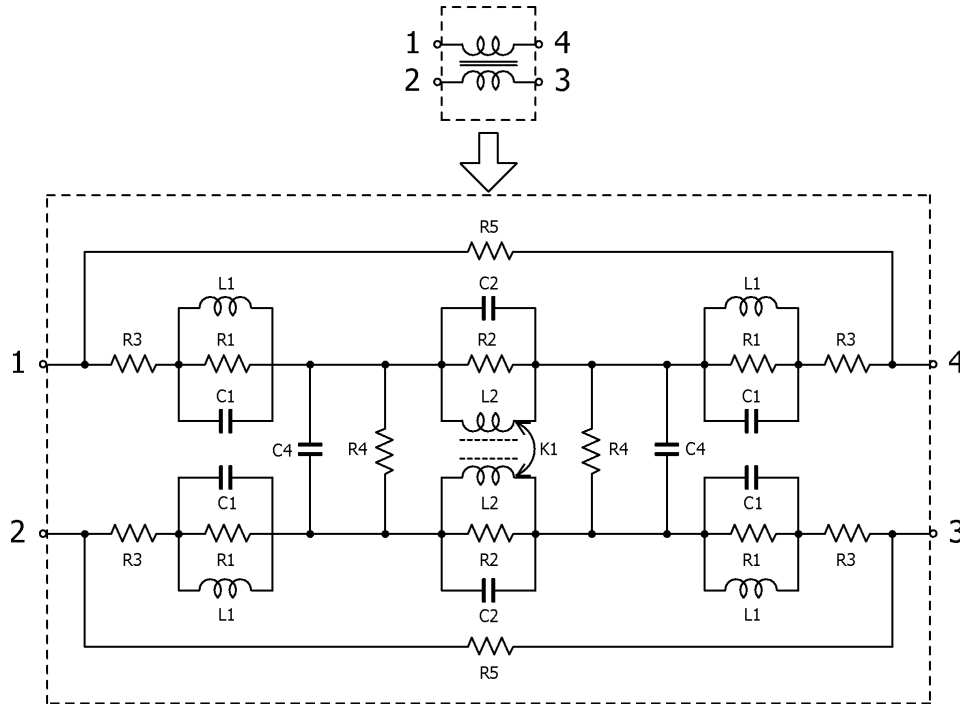


## Signal Line Common Mode Chokes/Filters

Feb. 27, 2026  
Simple Model

Automotive Grade for Signal Line / ACM2012H series

### Circuit Diagram



### Circuit Parameters

Part No.	R1[ohm]	L1[nH]	C1[pF]	R2[ohm]	L2[nH]	C2[pF]	R3[ohm]	R4[Gohm]	C4[pF]	R5[Gohm]	K1
ACM2012H-900-2P-T03	182	2.6	0.01	1,210	483	0.005	0.081	1	0.35	1	1.00000
ACM2012H-900-2P-T06	84	2.4	0.01	405	455	0.0045	0.088	1	0.35	1	1.00000