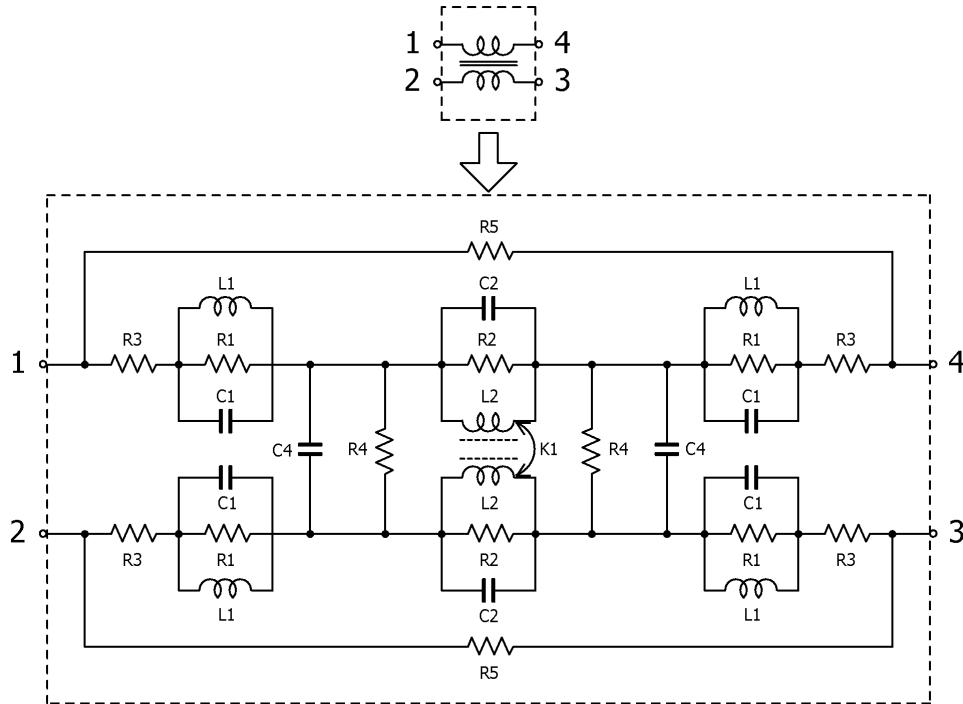


Signal Line Common Mode Chokes/Filters

Feb. 27, 2026
Simple Model

Automotive Grade for Signal Line / ACT1210 series

Circuit Diagram



Circuit Parameters

Part No.	R1[ohm]	L1[nH]	C1[pF]	R2[ohm]	L2[nH]	C2[pF]	R3[ohm]	R4[Gohm]	C4[pF]	R5[Gohm]	K1
ACT1210-110-2P-TL00	110	6.9	0.01	4,770	12,000	0.048	0.280	1	3.00	1	1.00000
ACT1210-220-2P-TL00	92	8.5	0.01	8,690	20,800	0.054	0.422	1	3.83	1	1.00000
ACT1210-510-2P-TL00	78	11.3	0.01	19,800	39,100	0.052	0.467	1	6.49	1	1.00000
ACT1210-101-2P-TL00	62	17.9	0.01	36,100	64,700	0.058	0.953	1	6.67	1	1.00000