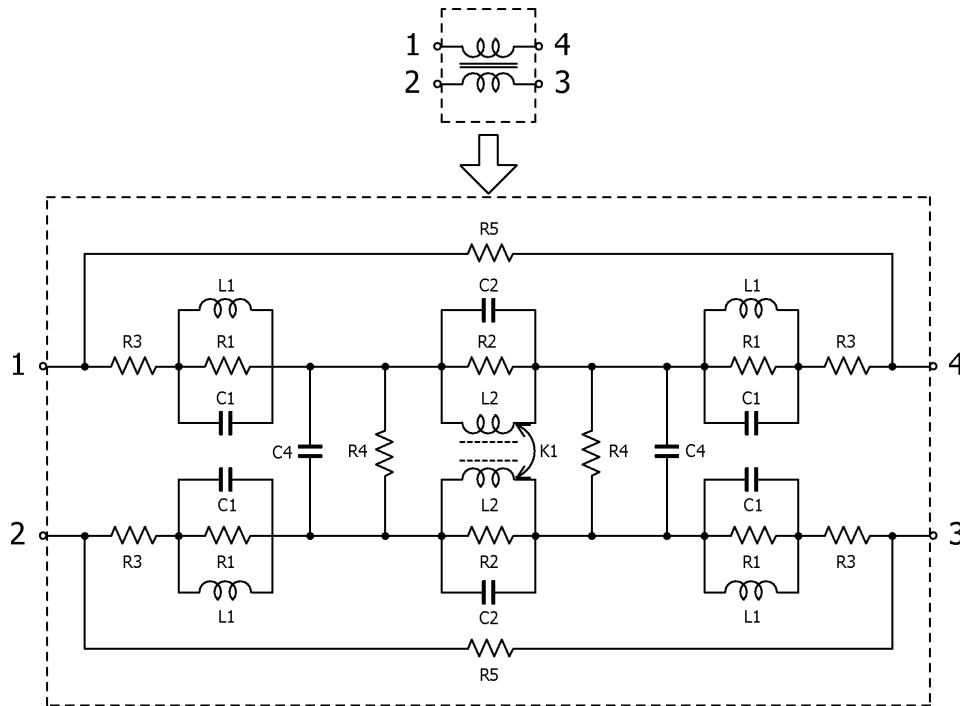


Signal Line Common Mode Chokes/Filters

Feb. 27, 2026
Simple Model

Automotive Grade for Signal Line / ACT1210D series

Circuit Diagram



Circuit Parameters

Part No.	R1[ohm]	L1[nH]	C1[pF]	R2[ohm]	L2[nH]	C2[pF]	R3[ohm]	R4[Gohm]	C4[pF]	R5[Gohm]	K1
ACT1210D-510-2P-TL00	60	20.5	0.01	19,100	42,400	0.032	0.900	1	3.07	1	1.00000
ACT1210D-101-2P-TL00	47	32.4	0.01	32,400	86,100	0.047	0.900	1	5.61	1	1.00000
ACT1210D-131-2P-TL00	61	32.9	0.01	35,300	104,000	0.046	1.150	1	4.85	1	1.00000