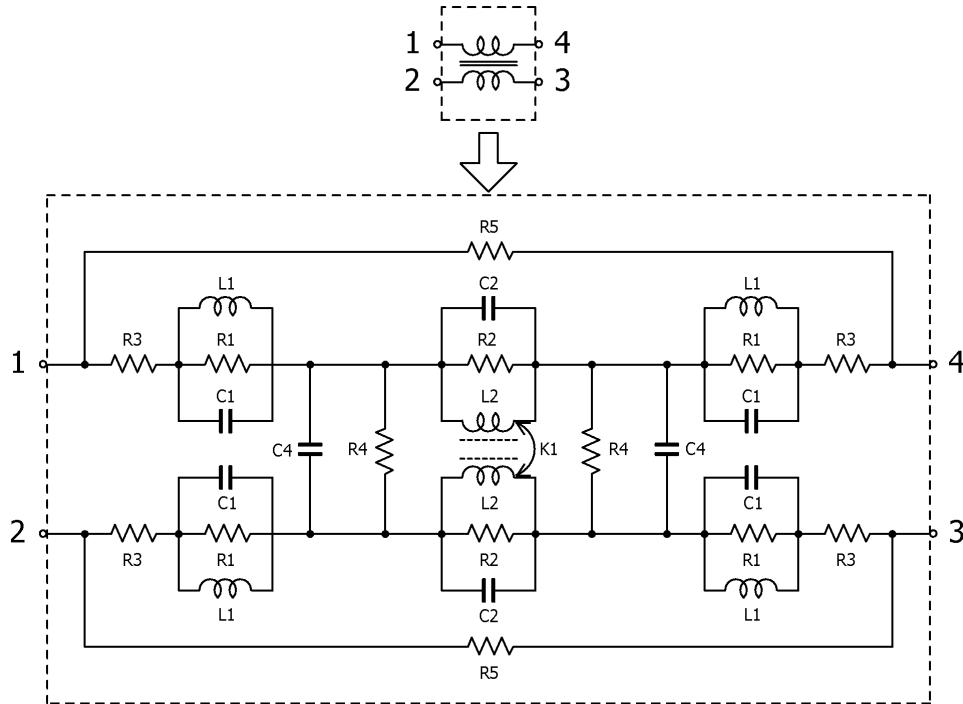


Signal Line Common Mode Chokes/Filters

Feb. 27, 2026
Simple Model

Automotive Grade for Signal Line / ACT1210E series

Circuit Diagram



Circuit Parameters

Part No.	R1[ohm]	L1[nH]	C1[pF]	R2[ohm]	L2[nH]	C2[pF]	R3[ohm]	R4[Gohm]	C4[pF]	R5[Gohm]	K1
ACT1210E-131-2P-TL00	0.3	0.001	0.01	21,800	121,000	0.029	1.300	1	0.53	1	1.00000
ACT1210E-241-2P-TL00	66	31.8	0.01	40,400	198,000	0.037	1.900	1	4.57	1	1.00000