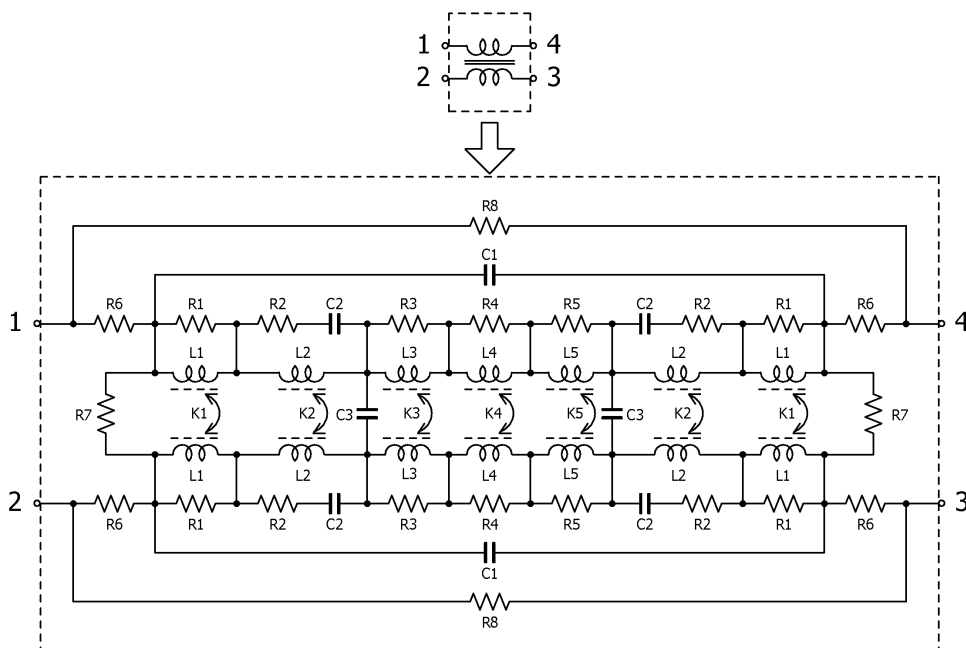


Circuit Diagram



Circuit Parameters

Part No.	C1 [pF]	C2 [pF]	C3 [pF]	L1 [uH]	L2 [uH]	L3 [uH]	L4 [uH]	L5 [uH]	R1 [ohm]	R2 [ohm]	R3 [ohm]	R4 [ohm]	R5 [ohm]	R6 [ohm]	R7 [Gohm]	R8 [Gohm]	K1	K2	K3	K4	K5
ACT45B-110-2P-TL003	0.09	180	5.0	0.47	4.5	0.94	0.94	4.98	10.00	780	0.80	4.0	7,500	0.18	10	1	0.99596	0.99838	0.99596	0.99596	1.00000
ACT45B-220-2P-TL003	0.08	120	5.0	1.00	6.8	2.0	2.0	8.90	9.50	1,000	0.76	3.8	9,500	0.34	10	1	0.99800	0.99868	0.99800	0.99800	1.00000
ACT45B-510-2P-TL003	0.10	60	6.8	3.30	17.0	6.6	6.6	29.2	9.50	2,200	0.76	3.8	25,000	0.39	10	1	0.99788	0.99903	0.99788	0.99788	1.00000
ACT45B-101-2P-TL003	0.09	60	4.0	10.50	25.0	21	21	47.0	13.75	2,600	1.10	5.5	32,000	0.73	10	1	0.99914	0.99893	0.99914	0.99914	1.00000