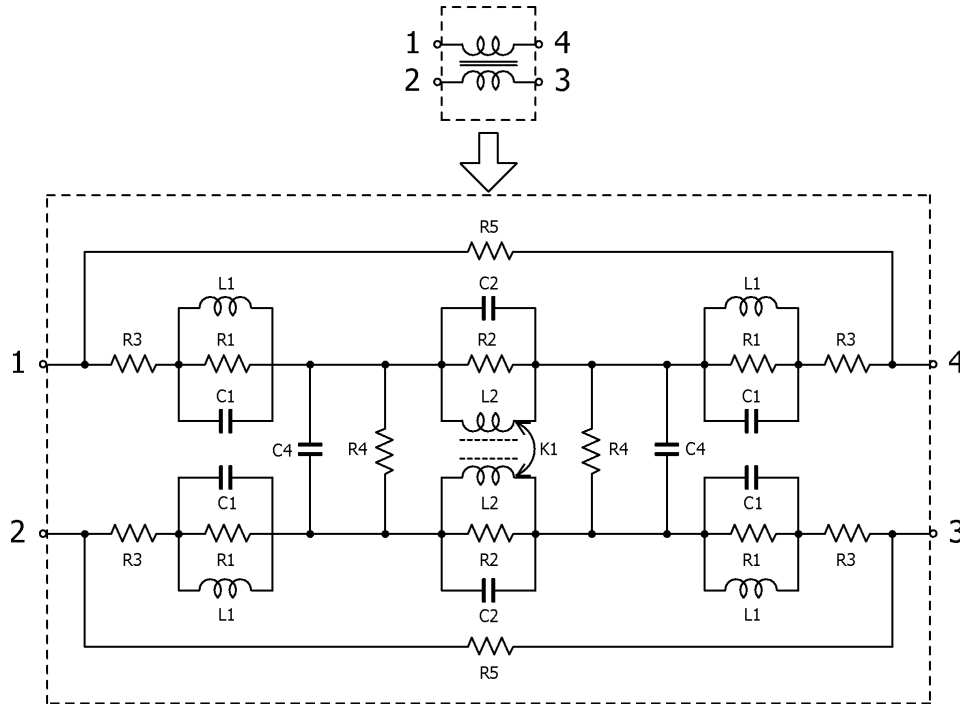


## Signal Line Common Mode Chokes/Filters

Feb. 27, 2026  
Simple Model

Automotive Grade for Signal Line / ACT45C series

### Circuit Diagram



### Circuit Parameters

Part No.	R1[ohm]	L1[nH]	C1[pF]	R2[ohm]	L2[nH]	C2[pF]	R3[ohm]	R4[Gohm]	C4[pF]	R5[Gohm]	K1
ACT45C-110-2P-TL000	500	5.2	0.01	5,860	13,800	0.048	0.175	1	5.76	1	1.00000
ACT45C-220-2P-TL000	500	4.5	0.01	10,700	18,500	0.054	0.375	1	8.15	1	1.00000
ACT45C-510-2P-TL000	500	4.7	0.01	21,300	49,000	0.068	0.375	1	10.05	1	1.00000
ACT45C-101-2P-TL000	31	34.2	0.01	40,500	99,500	0.069	0.800	1	11.03	1	1.00000