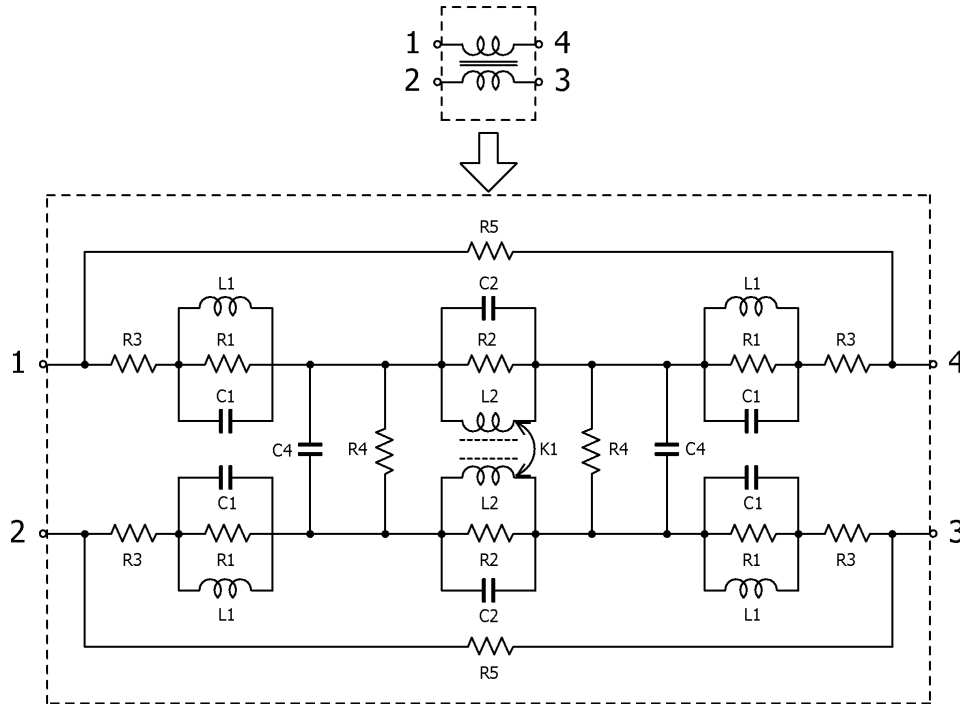


Signal Line Common Mode Chokes/Filters

Feb. 27, 2026
Simple Model

Commercial Grade for Signal Line / ALC2012 series

Circuit Diagram



Circuit Parameters

Part No.	R1[ohm]	L1[nH]	C1[pF]	R2[ohm]	L2[nH]	C2[pF]	R3[ohm]	R4[Gohm]	C4[pF]	R5[Gohm]	K1
ALC2012-900-2P-T00	311	3.7	0.01	1,210	216	0.018	0.074	1	1.01	1	1.00000
ALC2012-361-2P-T00	75	4.1	0.01	2,990	852	0.020	0.197	1	1.92	1	1.00000