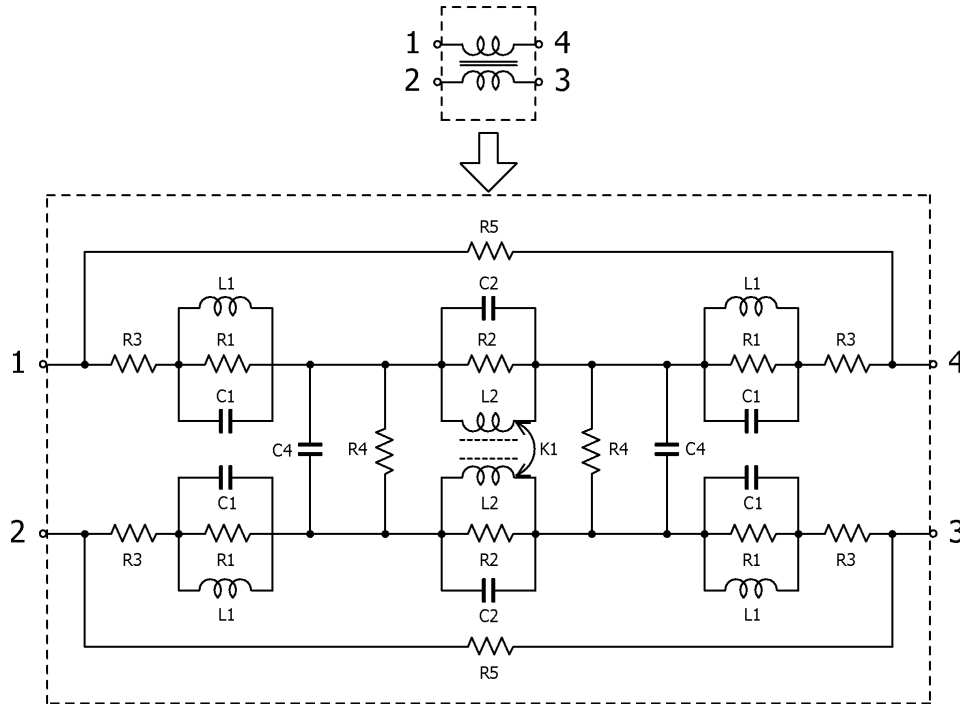


**Signal Line Common Mode Chokes/Filters**

Feb. 27, 2026  
Simple Model

Commercial Grade for Signal Line / MCZ1210AH series

**Circuit Diagram**



**Circuit Parameters**

| Part No.           | R1[ohm] | L1[nH] | C1[pF] | R2[ohm] | L2[nH] | C2[pF] | R3[ohm] | R4[Gohm] | C4[pF] | R5[Gohm] | K1      |
|--------------------|---------|--------|--------|---------|--------|--------|---------|----------|--------|----------|---------|
| MCZ1210AH360L2TA0G | 1,200   | 1.5    | 0.01   | 1,200   | 55.0   | 0.230  | 0.350   | 1        | 0.65   | 1        | 1.00000 |
| MCZ1210AH900L2TA0G | 1,200   | 2.0    | 0.01   | 950     | 140    | 0.150  | 0.500   | 1        | 0.65   | 1        | 1.00000 |